



Catalogue
LAUNDRY
Chapter
DRYERS

Model
 SR-11 TP2 S PLUS 230V 1N 50/60Hz

18003088

14/02/2020

ADVANCE PLUS DRYER, SR-11 TP2 S PLUS

KEY FEATURES:

01. GREEN FLOW SYSTEM

To achieve maximum energy savings, we have created an air recirculation system that sends hot expelled air back into the drum. The ADVANCE PLUS range reuses hot air, reducing the maximum drying cycle time and energy consumption.

02. TOTAL FLOW

An innovative and optimised mixed airflow for Advance Plus dryers. The standard axial-radial airflow (mixed flow) is complemented by additional openings to optimised the air circuit and reach maximum efficiency.

03. DOUBLE SKIN

Double skin and a double-glazed door that provide a complete thermal insulation of the machine for improved energy efficiency.

OPL <-> SELF-SERVICE

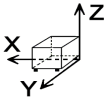
The machines can be converted from OPL to Selfservice and vice versa from the TP2 control.

- Green flow system: air recirculation system that allows air to be reused for greater energy savings and improved airflow.
- iDry System (Intelligent moisture sensor + temperature control at the drum entrance).
- Double skin that provides thermal insulation for the best possible energy efficiency.
- Fully Programmable Touch Plus Control Processor (TP2) with 7" touchscreen.
- External steel casing with grey coating (skinplate), stainless steel, easy to clean finish.
- Stainless steel drum.
- Total Flow: Optimised axial-radial airflow.
- Drum with stamped perforations to guarantee the gentle treatment of fabrics.
- Lint filter at the bottom, more ergonomic, larger and improved airflow.
- Automatic reverse rotation of the drum.
- Frequency inverter for smoother operation.
- Double-glazed door with a large opening.
- Anti-wrinkle system.
- End of cycle tone.
- Emergency stop button and security micro magnet to stop operation.
- Fire Kare System (Integrated fire prevention system).
- Motion transmission by geared motor

OPTIONS:

- Reverse opening door.
- Stainless steel casing.
- Stainless steel front.
- Wooden packaging.
- Air intake filter.
- Fluff filter.
- Tropicalised electronics.
- WI-FI
- Printer.
- Design

DIMENSIONS



X Width	785 mm	X Gross width	865 mm
Y Depth	855 mm	Y Gross depth	940 mm
Z Height	1694 mm	Z Gross height	1840 mm
Net Weight	172,0 kg	Gross Weight	180,0 kg
Net volume	1,140 m3	Gross volume	1,496 m3

ELECTRICITY TECHNICAL SPECIFICATIONS

Engine power	0,37 kW
Fan Motor Power	0,55 kW
Electric power	0,970 kW
Amperage (A)	4,2
Voltage	230V - 1N
Electric frequency	50/60Hz

STEAM TECHNICAL SPECIFICATIONS

Steam consumption	53,00 kg/h
Steam power	30,00 kW
Steam pressure	6,00 - 9,00 bar

AIR TECHNICAL SPECIFICATIONS

Maximum airflow	1200 m3/h
-----------------	-----------

CONNECTIONS TECHNICAL SPECIFICATIONS

230 V three-phase wiring	3 X 1,5 / 20A
Single-phase 230V wiring	3 X 1,5 / 20A
Three-phase +N 400V wiring	3 X 1,5 / 20A
Steam entrance diameter	3/4"
Steam exit diameter	3/4"
Water inlet diameter	1/2"
Extraction 1 diameter	200,00 mm

OTHERS

Load capacity 1/18	11,70 kg
Load capacity 1/20	10,50 kg
Drum volume	210 L
Drum diameter	750 mm
Drum depth	475 mm
Hourly Output **	21,7 kg/h
Evaporation capacity *	11,0 L/h
Noise level	64,00 dB



Catalogue
LAUNDRY

Chapter
DRYERS

Model
SR-11 TP2 S PLUS 230V 1N 50/60Hz

18003088

14/02/2020

- Double glazed door.
- Low pressure steam battery.
- Stainless steel steam battery.

Placement of the door:

Door center height: 976 mm

Door base height: 618 mm

Door opening diameter: 574 mm

* Drying conditions: complete loading (1/20) of towels, drying temperature 90°C.

*** kg dry clothes per hour. Drying conditions: complete loading (1/20) of towels, drying temperature 90°C.

"



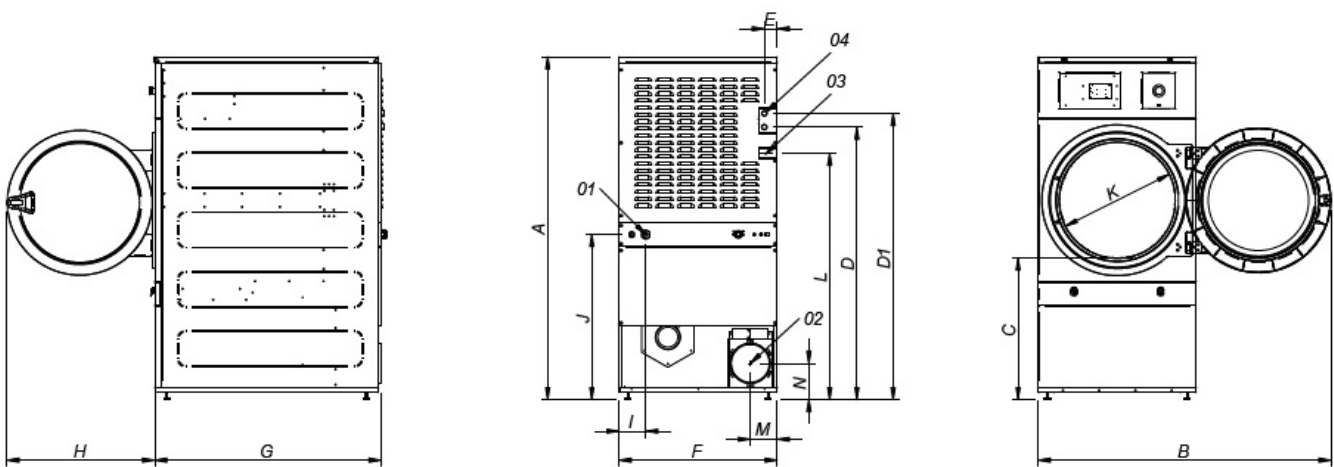
Catalogue
LAUNDRY

Chapter
DRYERS

Model
SR-11 TP2 S PLUS 230V 1N 50/60Hz

18003088

14/02/2020



01 ACOMETIDA ELÉCTRICA
02 SALIDA VAHOS Ø200
03 ENTRADA GAS 1/2"
04 ENTRADA VAPOR 3/4"

01 ELECTRIC CONNECTION
02 FUMES OUTLET Ø200
03 GAS CONNECTION 1/2"
04 STEAM CONNECTION 3/4"

	A	B	C	D	D1	E	F	G	H	I	J	K	L	M	N
SR-SC-11	1694	1447	689	1354	1422	68	785	855	735	95	821	575	1226	133	180
SR-SC-16	1694	1447	689	1354	1422	68	785	1125	735	95	821	575	1226	133	180
SR-SC-23	1812	1552	743	1430	1532	112	890	1255	735	205	862	575	1344	133	180