

# SP 015 P

<b>MODEL</b> <b>SPIDOGLOSS SP015 P</b>	<ul style="list-style-type: none"> <li>• <b>Black smooth surfaces</b></li> </ul>	<ul style="list-style-type: none"> <li>• <b>Max. temperature 400° C</b></li> </ul>
	<ul style="list-style-type: none"> <li>• <b>Manual Control</b></li> </ul>	<ul style="list-style-type: none"> <li>• <b>Glass ceramic</b></li> </ul>



**DESCRIPTION**

Professional Contact Cooking System with Glass Ceramic plates, suitable for cooking a wide array of different foods, as such: toast, sandwich, meat, fish, vegetables, eggs, etc. High quality cooking result thanks to heat distribution uniformity and use of shock resistance, non-stick, non-porous and impermeable to smells and tastes Glass Ceramic Cooking Surfaces.

High versatility of use thanks to **SHB™ Plus** technology which allows combined heating (contact + infrared) and high cooking Temperature setting.

Up to 60% saving in Preheating Time thanks to **SHB™ Plus**. Up to 60% saving in Energy consumption thanks to the **Protek.Safe™** high efficiency insulation system which eliminates unnecessary energy loss.

**STANDARD COOKING FEATURES**

**SETTINGS:**

- Manual Control
- Temperature set: 120° C – 400° C

**ACCESSORIES**

- **METAL SCRAPER**  
Metallic scraper for Glass Ceramic Surfaces (included)
- **SPIDO CLEAN SPRAY DETERGENT**  
750 ml Spray Detergent for Glass Ceramic and Steel Surfaces (to be purchased separately)

**STANDARD TECHNICAL FEATURES**

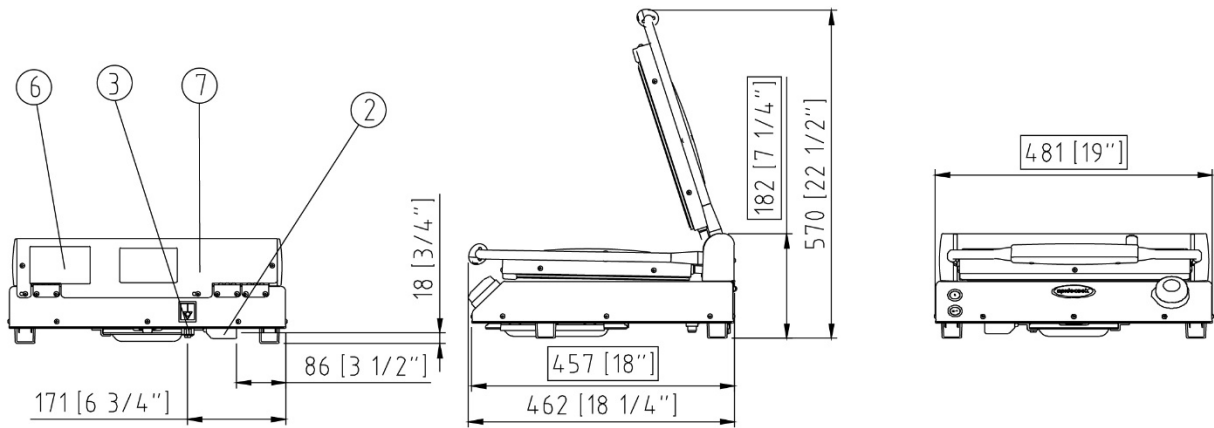
- **Single Black Smooth Glass Ceramic cooking plate:**  
n°1 300x400 mm
- Stainless Steel Case
- Ergonomic Handle
- Self-locking Handle Bracket
- 4 Non-Slip Feets
- Removable Dip Tray
- ON/OFF button and LED light



# SP 015 P

Views  
Connection positions  
Dimensions and Weights  
Installation requirements  
Power supply

SP 015 P



### CONNECTION POSITIONS

2	Terminal board power supply
3	Unipotential terminal
6	Technical data plate
7	Safety thermostat

### DIMENSIONS AND WEIGHT

Width	481 mm
Depth	457 mm
Height	182 mm
Net Weight	12 kg

### INSTALLATION REQUIREMENTS

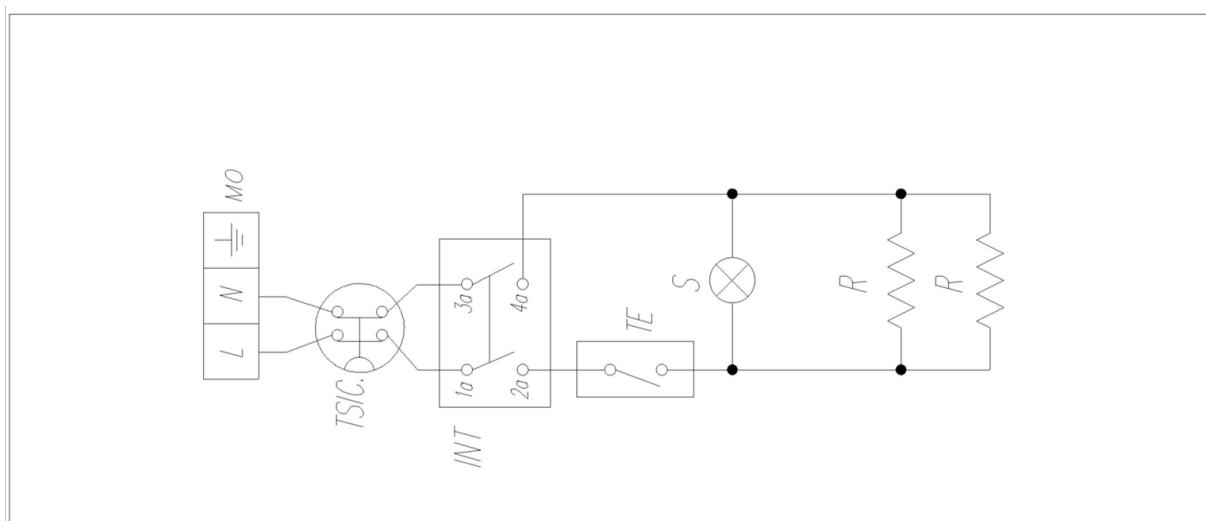
Installations must conform to all local electrical systems, specifically minimum wire gauge required for field connection, hydraulic and ventilation codes.

### POWER SUPPLY

	STANDARD
Voltage	230 V
Phase	1PH+N+PE
Frequency	50 Hz
Power	2.8 kW
Maximum Amp Draw	12.2 A
Power cable requirement	H07RN-F
Plug	SCHUKO

# SP 015 P

Wiring diagrams



## WIRING DIAGRAMS

INT	Switch
MO	Terminal board
R	Heating element
S	Pilot light
TE	Thermostat
TS	Safety thermostat