

# DR140




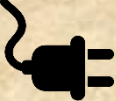



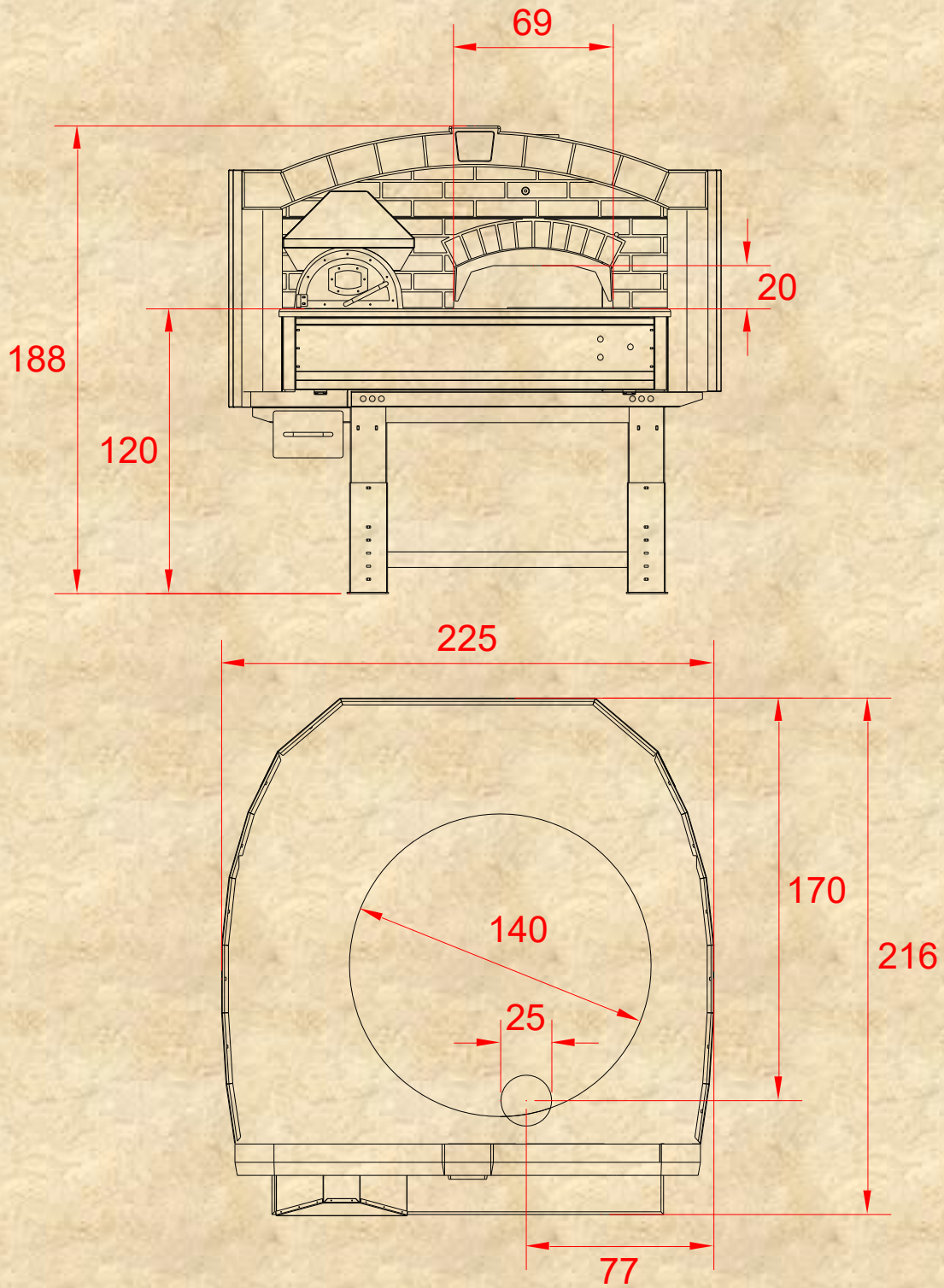
**Basic Design**

<b>Fuel Type</b>	<b>Wood</b>
------------------	-------------

<b>Oven Type</b>	<b>Rotary</b>
------------------	---------------

Basic design wood oven with rotating base. Simple and elegant design with brick façade, double door – one for the main baking chamber and additional door for the wood burning chamber. A separate drawer for the wood burning ashes. In addition to all of this you have a fully adjustable rotating base. Classical and preferred wood oven with very high durability – this is what this current oven offers.

<b>Capacity</b>	13  30cm
<b>Productivity</b>	195  per hour
<b>Firewood Consumption</b> 	6 – 7 kg per hour
<b>Electrical Supply</b> 	230V / 50Hz
<b>Weight</b> 	2100 kg



**\*Dimensions in cm**