



Catalogue
FOOD SERVICE
Chapter
COOKING

Model
C-G730 D LPG

19073680

31/03/2020

GAS SOLID TOP WITH OPEN BURNERS, C-G730-D

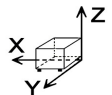
- Deep-drawn surface tops manufactured in 1.5 mm thick AISI-304 stainless steel.
- Laser-cut joints and automatic welding. Hidden screws.
- 397 x 580 mm double grates (397 x 290 mm for each burner) enabling the use of large pots and pans. The reduced distance of 75 mm between the central bars makes it possible to use pots with a very small diameter (8 cm), avoiding the risk of smaller pans tipping over.
- The grates are made of RAAF enamelled cast iron (resistant to alkaline and acid products, fire and high temperatures).
- Double-crown burners and diffusers made of nickel-plated cast iron which guarantee an even distribution of heat from the flame to the base of the pans, even for large pans. This therefore prevents heat from building up in a specific point and optimises energy transfer to the product.
- Burners are easy to position.
- 10 mm-thick cast iron plate with rounded corners, 400 x 580 mm, and shield with 210 mm diameter.
- Low-consumption pilot light and thermocouple located within the body of the burner for greater protection.
- Flexible stainless-steel gas pipes, facilitating internal manipulations in order to make repairs easier.
- Controls with a protective support base and system to prevent water infiltration.
- High-temperature enamelled cast iron flue protector which is flush with the grates therefore improving manoeuvrability, supporting larger containers and increasing the usable surface area.
- Access to components from the front.
- Two burners and a 10 mm-thick cast iron plate on the worktop, with different powers, enabling the use of different pots and pans and different foods: 1 x 5,25 kW (Ø 100 mm) + 1 x 8,0 kW (Ø 120 mm). 5.25 kW burner beneath fry top.

OPCIONAL ACCESSORIES

- Frying plate to place on 5.25 kW burners.
- Water column.
- "
- "

DIMENSIONS

X Width	800 mm	X Gross width	840 mm
Y Depth	730 mm	Y Gross depth	822 mm
Z Height	290 mm	Z Gross height	535 mm
Net Weight	138,0 kg	Gross Weight	156,0 kg
Net volume	0,170 m3	Gross volume	0,369 m3



ELECTRICITY TECHNICAL SPECIFICATIONS

Voltage N/A

GAS TECHNICAL SPECIFICATIONS

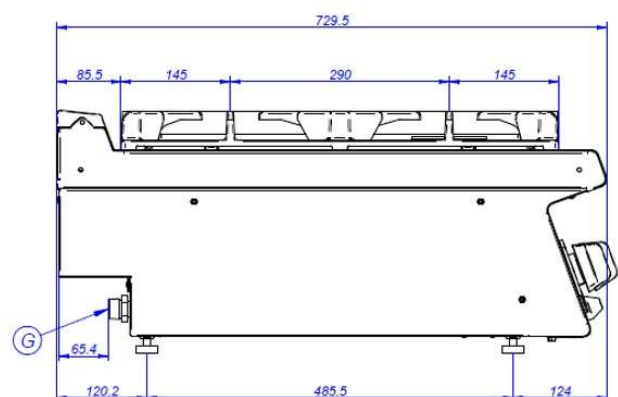
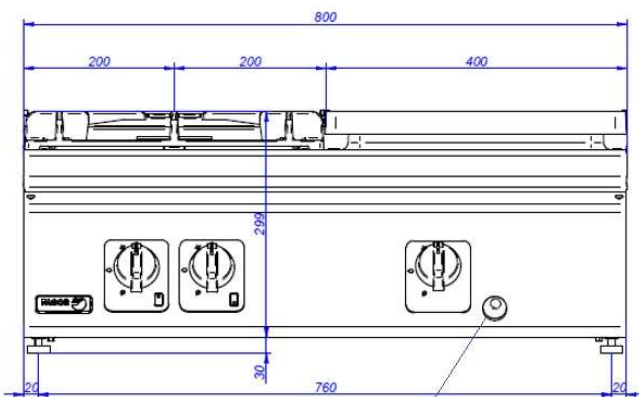
Gas type LPG
 Gas power 22,65 kW
 Gas consumption 1,885 kg/h
 Regulated LPG G30/G31 28-30/37 mbar
 NG G20/G25/G25.1 20/25/25 mbar

CONNECTIONS TECHNICAL SPECIFICATIONS

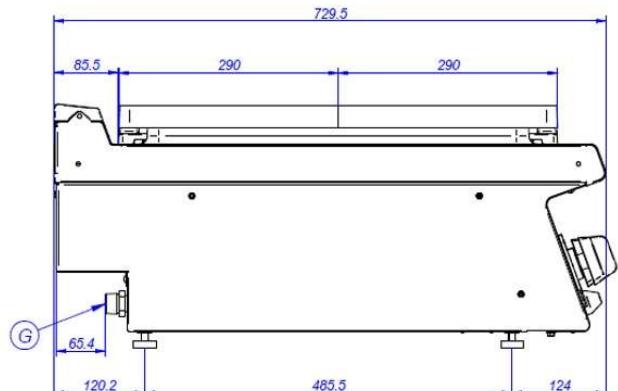
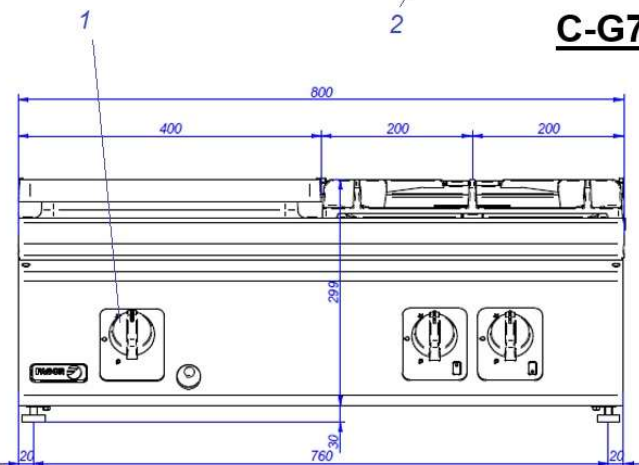
Gas diameter 1 R.3/4"G



C-G730 D



C-G730 I



- G. Entrada de Gas
- 1. Válvula de gas
- 2. Pulsador tren de chispas

- Gas Inlet
- Gas valve
- Piezoelectric ignitor