



Catalogue :

**SERIE 900 KORE**

Chapter :

**BAIN-MARIE 900 KORE**

Article :

**BM-G910 LPG 230V 1N**

Code:

**19031196**

<u>DIMENSIONS AND WEIGHTS</u>		<u>Net dimensions</u>	<u>Packed</u>
Length	mm	<b>800,00</b>	<b>1.022,00</b>
Depth	mm	<b>930,00</b>	<b>840,00</b>
Height	mm	<b>290,00</b>	<b>535,00</b>
Weight	kg	<b>54,00</b>	<b>73,00</b>
Volume	m3	<b>0,22</b>	<b>0,46</b>
<u>ELECTRICITY</u>		<b>230V</b>	<b>50/60Hz</b>
	Power		<b>0,10 kW</b>
Connections	230 V. 1+N+T	<b>2X2,5 + T</b>	
	230 V. III+T	<b>3X10+T - 63 A</b>	
	400 V. III+N+T	<b>4X4MM2+T</b>	
<u>GAS</u>			
	Power		<b>6,50 kW</b>
	Gas type	<b>LPG</b>	
	Consumption		<b>0,50 kg/h</b>
	Pressure	<b>LPG G30/G31 28-30/37 mbar</b>	
<u>WATER</u>		Not necessary	
<u>STEAM</u>		Not necessary	
<u>AIR</u>		Not necessary	

DESCRIPTION

GAS BAIN MARIE, BM-G910

Bain marie are ideal machines to keep the temperature of products such as sauces, stews or garnish. You can either put pans directly on them or you may use Gastronorm containers.

Thanks to the well dimensions and the separating cross bars, it may be used with different GN container types depending on in each machine configuration options.

2 mm stainless AISI-304 steel top with rounded edges for easy cleaning. Laser cut and automatic welding for a perfect adjustment of sides between modules with square angle finish.

Integrated AISI-304 stainless steel well with rounded edges for easy cleaning.

The well can be configured to fit different Gastronorm containers of different sizes and 150 mm deep. Well dimensions: GN-2x[1/1 + 1/3]. Well capacity: 44 litres.

Standard equipment: 3 crossbars for Gastronorm containers support. The top is ready to have a water inlet installed to fill the well.

The well can be easily emptied by extracting the overflow tube.

Heating by stainless steel burner outside the well.

Electronic ignition. Access tube for manual ignition.

Range of temperature between 30 and 90 °C controlled by thermostat.

Water-tight and protecting-support controls.

High temperature protector for the chimney made of enamelled cast iron.

Front access to components.

According to European standards for components and panels temperature, efficiencies and combustion, and sanitary regulations (EN-60335 and EN-203)

IPX5 grade water protection equipment.

Maximum power: 6.5 kW - Gas

It requires an 230V - 1+N power supply.

Dimensions: 800 x 930 x 290 mm.

SOUND LEVEL < **65,00** db

CERTIFICATES **1312CR6165**

INSTALLATION - CONNECTIONS

	<u>Ø</u>
▶ ELECTRICITY	SI
▶ DRAIN	30x25
▶ GAS	"R, 3/4""G"



Catalogue :

**SERIE 900 KORE**

Chapter :

**BAIN-MARIE 900 KORE**

Article :

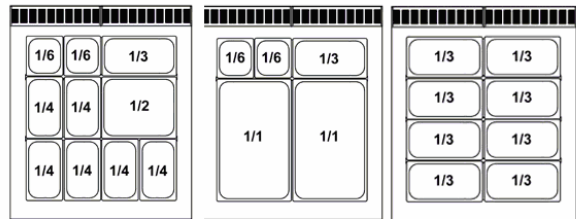
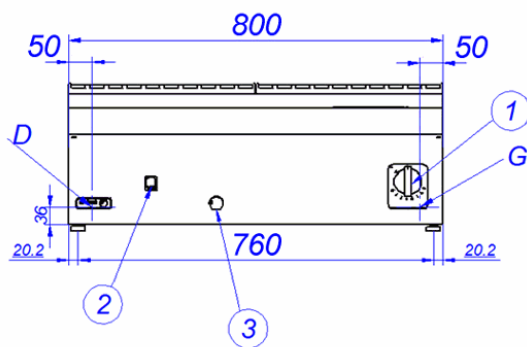
**BM-G910 LPG 230V 1N**

Code :

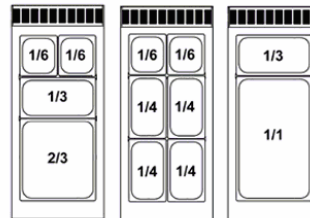
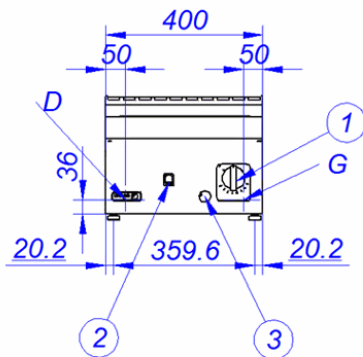
**19031196**

**SCHEMA - DIMENSIONS**

**BM-G910**



**BM-G905**



- |                                  |                       |
|----------------------------------|-----------------------|
| G - Entrada de Gas               | Gas Inlet             |
| D - Desagüe                      | Drainage              |
| 1 - Válvula de gas               | Gas valve             |
| 2 - Pulsador tren de chispas     | Piezoelectric ignitor |
| 3 - Orificio de encendido manual | Manual ignition hole  |

