



Catalogue
LAUNDRY
Chapter
DRYERS

Model
SR-80 TP2 S PLUS 400V 3N 50Hz

19071932

14/02/2020

ADVANCE PLUS DRYER, SR-80 TP2 S PLUS

KEY FEATURES:

01. GREEN FLOW SYSTEM

To achieve maximum energy savings, we have created an air recirculation system that sends hot expelled air back into the drum. The ADVANCE PLUS range reuses hot air, reducing the maximum drying cycle time and energy consumption.

02. TOTAL FLOW

An innovative and optimised mixed airflow for Advance Plus dryers. The standard axial-radial airflow (mixed flow) is complemented by additional openings to optimised the air circuit and reach maximum efficiency.

03. DOUBLE SKIN

Double skin and a double-glazed door that provide a complete thermal insulation of the machine for improved energy efficiency.

OPL <-> SELF-SERVICE

The machines can be converted from OPL to Selfservice and vice versa from the TP2 control.

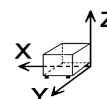
- Green flow system: air recirculation system that allows air to be reused for greater energy savings and improved airflow.
- iDry System (Intelligent moisture sensor + temperature control at the drum entrance).
- Double skin that provides thermal insulation for the best possible energy efficiency.
- Fully Programmable Touch Plus Control Processor (TP2) with 7" touchscreen.
- External steel casing with grey coating (skinplate), stainless steel, easy to clean finish.
- Stainless steel drum.
- Total Flow: Optimised axial-radial airflow.
- Drum with stamped perforations to guarantee the gentle treatment of fabrics.
- Lint filter at the bottom, more ergonomic, larger and improved airflow.
- Automatic reverse rotation of the drum.
- Frequency inverter for smoother operation.
- Double-glazed door with a large opening.
- Anti-wrinkle system.
- End of cycle tone.
- Emergency stop button and security micro magnet to stop operation.
- Fire Kare System (Integrated fire prevention system).
- Pulley and Poly-V belt transmission system with the drum supported on wheels.

OPTIONS:

- Reverse opening door.
- Stainless steel casing.
- Stainless steel front.
- Wooden packaging.
- Air intake filter.
- Fluff filter.
- Tropicalised electronics.
- WI-FI
- Printer

DIMENSIONS

X Width	1270 mm	X Gross width	1330 mm
Y Depth	1598 mm	Y Gross depth	1705 mm
Z Height	2380 mm	Z Gross height	2150 mm
Net Weight	657,0 kg	Gross Weight	715,0 kg
Net volume	4,830 m3	Gross volume	4,875 m3



ELECTRICITY TECHNICAL SPECIFICATIONS

Engine power	1,50 kW
Fan Motor Power	2,20 kW
Electric power	3,750 kW
Amperage (A)	5,4
Voltage	400V - 3N
Electric frequency	50Hz

STEAM TECHNICAL SPECIFICATIONS

Steam consumption	170,77 kg/h
Steam power	128,00 kW
Steam pressure	7,00 - 12,00 bar

AIR TECHNICAL SPECIFICATIONS

Maximum airflow	4500 m3/h
-----------------	-----------

CONNECTIONS TECHNICAL SPECIFICATIONS

230 V three-phase wiring	4 X 2,5 / 32A
Three-phase +N 400V wiring	5 X 1,5 / 32A
Steam entrance diameter	1"
Steam exit diameter	1"
Water inlet diameter	1/2"
Extraction 1 diameter	300,00 mm

OTHERS

Load capacity 1/18	83,30 kg
Load capacity 1/20	75,00 kg
Drum volume	1500 L
Drum diameter	1225 mm
Drum depth	1252 mm
Hourly Output **	136,4 kg/h
Evaporation capacity *	68,2 L/h
Noise level	67,00 dB



Catalogue
LAUNDRY

Chapter
DRYERS

Model
SR-80 TP2 S PLUS 400V 3N 50Hz

19071932

14/02/2020

- Dosing.
- Double glazed door.
- Low pressure steam battery.
- Stainless steel steam battery.

Placement of the door:

Door center height: 1275 mm

Door base height: 812 mm

Door opening diameter: 802 mm

* Drying conditions: complete loading (1/20) of towels, drying temperature 90°C.

*** kg dry clothes per hour. Drying conditions: complete loading (1/20) of towels, drying temperature 90°C.

"



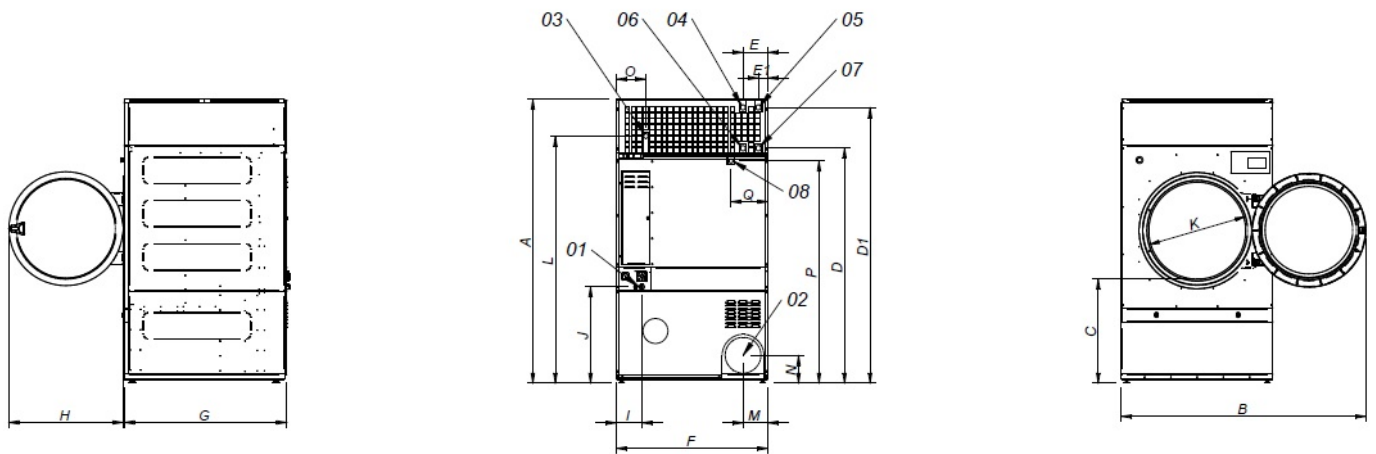
Catalogue
LAUNDRY

Chapter
DRYERS

Model
SR-80 TP2 S PLUS 400V 3N 50Hz

19071932

14/02/2020



- 01 ACOMETIDA ELECTRICA
- 02 SALIDA VAHOS Ø300
- 03 ENTRADA GAS 3/4"
- 04 ENTRADA VAPOR (DTT-45) 1"
- 05 ENTRADA VAPOR (DTT-60/80) 1"
- 06 SALIDA CONDENSADOS (DTT-45) 1"
- 07 SALIDA CONDENSADOS (DTT-60/80) 1"
- 08 VALVULA ANTI INCENDIO 3/4"

- 01 ELECTRIC CONNECTION
- 02 FUMES OUTLET Ø300
- 03 GAS CONNECTION 3/4"
- 04 STEAM CONNECTION (DTT-45) 1"
- 05 STEAM CONNECTION (DTT-60/80) 1"
- 06 CONDENSATION OUTLET (DTT-45) 1"
- 07 CONDENSATION OUTLET (DTT-60/80) 1"
- 08 FIRE EXTINGUISHER WATER VALVE 3/4"

	A	B	C	D	E	E1	F	G	H	I	J	K	L	M	N	O	P	Q
SR-45	2380	2045	874	1981	211	80	1270	1106	957	138	813	802	2088	214	240	244	1865	195
SR-60	2380	2045	874	1981	211	80	1270	1366	957	138	813	802	2088	214	240	244	1865	195
SR-80	2380	2045	874	1981	211	80	1270	1598	957	138	813	802	2088	214	240	244	1865	195