



**Catalogue**  
LAUNDRY  
**Chapter**  
DRYERS

**Model**  
SR-45 TP2 E PLUS 400V 3N 50Hz

18003137

14/02/2020

**ADVANCE PLUS DRYER, SR-45 TP2 E PLUS**

**KEY FEATURES:**

**01. GREEN FLOW SYSTEM**

To achieve maximum energy savings, we have created an air recirculation system that sends hot expelled air back into the drum. The ADVANCE PLUS range reuses hot air, reducing the maximum drying cycle time and energy consumption.

**02. TOTAL FLOW**

An innovative and optimised mixed airflow for Advance Plus dryers. The standard axial-radial airflow (mixed flow) is complemented by additional openings to optimised the air circuit and reach maximum efficiency.

**03. DOUBLE SKIN**

Double skin and a double-glazed door that provide a complete thermal insulation of the machine for improved energy efficiency.

**OPL <-> SELF-SERVICE**

The machines can be converted from OPL to Selfservice and vice versa from the TP2 control.

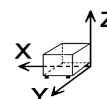
- Green flow system: air recirculation system that allows air to be reused for greater energy savings and improved airflow.
- iDry System (Intelligent moisture sensor + temperature control at the drum entrance).
- Double skin that provides thermal insulation for the best possible energy efficiency.
- Fully Programmable Touch Plus Control Processor (TP2) with 7" touchscreen.
- External steel casing with grey coating (skinplate), stainless steel, easy to clean finish.
- Stainless steel drum.
- Total Flow: Optimised axial-radial airflow.
- Drum with stamped perforations to guarantee the gentle treatment of fabrics.
- Lint filter at the bottom, more ergonomic, larger and improved airflow.
- Automatic reverse rotation of the drum.
- Frequency inverter for smoother operation.
- Double-glazed door with a large opening.
- Anti-wrinkle system.
- End of cycle tone.
- Emergency stop button and security micro magnet to stop operation.
- Fire Kare System (Integrated fire prevention system).
- Pulley and Poly-V belt transmission system with the drum supported on wheels.

**OPTIONS:**

- Reverse opening door.
- Stainless steel casing.
- Stainless steel front.
- Wooden packaging.
- Air intake filter.
- Fluff filter.
- Tropicalised electronics.
- WI-FI
- Printer

**DIMENSIONS**

|            |          |                |          |
|------------|----------|----------------|----------|
| X Width    | 1270 mm  | X Gross width  | 1330 mm  |
| Y Depth    | 1106 mm  | Y Gross depth  | 1185 mm  |
| Z Height   | 2380 mm  | Z Gross height | 2150 mm  |
| Net Weight | 395,0 kg | Gross Weight   | 430,0 kg |
| Net volume | 3,340 m3 | Gross volume   | 3,389 m3 |



**ELECTRICITY TECHNICAL SPECIFICATIONS**

|                    |           |
|--------------------|-----------|
| Engine power       | 0,75 kW   |
| Fan Motor Power    | 2,20 kW   |
| Electric power     | 57,000 kW |
| Amperage (A)       | 82,4      |
| Heating power      | 54,00 kW  |
| Voltage            | 400V - 3N |
| Electric frequency | 50Hz      |

**AIR TECHNICAL SPECIFICATIONS**

|                 |           |
|-----------------|-----------|
| Maximum airflow | 4500 m3/h |
|-----------------|-----------|

**CONNECTIONS TECHNICAL SPECIFICATIONS**

|                            |               |
|----------------------------|---------------|
| Three-phase +N 400V wiring | 5 X 35 / 100A |
| Water inlet diameter       | 1/2"          |
| Extraction 1 diameter      | 300,00 mm     |

**OTHERS**

|                        |           |
|------------------------|-----------|
| Load capacity 1/18     | 49,80 kg  |
| Load capacity 1/20     | 44,80 kg  |
| Drum volume            | 896 L     |
| Drum diameter          | 1225 mm   |
| Drum depth             | 760 mm    |
| Hourly Output **       | 86,7 kg/h |
| Evaporation capacity * | 44,1 L/h  |
| Noise level            | 67,00 dB  |



Catalogue  
**LAUNDRY**

Chapter  
**DRYERS**

Model  
**SR-45 TP2 E PLUS 400V 3N 50Hz**

18003137

14/02/2020

- Dosing.

Placement of the door:

Door center height: 1275 mm

Door base height: 812 mm

Door opening diameter: 802 mm

\* Drying conditions: complete loading (1/20) of towels, drying temperature 90°C.

\*\*\* kg dry clothes per hour. Drying conditions: complete loading (1/20) of towels, drying temperature 90°C.

"



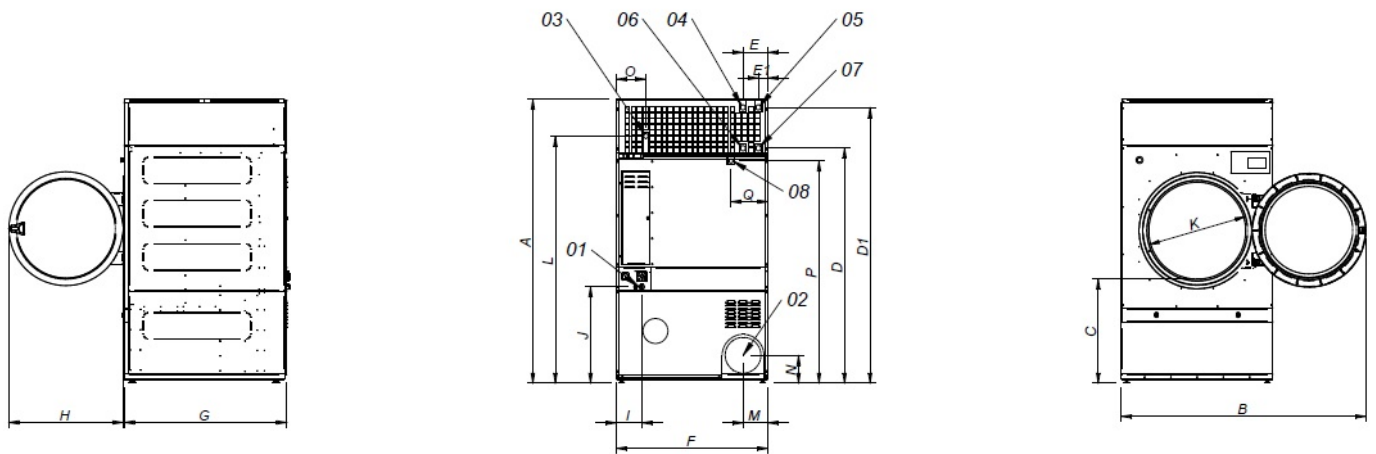
Catalogue  
**LAUNDRY**

Chapter  
**DRYERS**

Model  
**SR-45 TP2 E PLUS 400V 3N 50Hz**

18003137

14/02/2020



- 01 ACOMETIDA ELECTRICA
- 02 SALIDA VAHOS Ø300
- 03 ENTRADA GAS 3/4"
- 04 ENTRADA VAPOR (DTT-45) 1"
- 05 ENTRADA VAPOR (DTT-60/80) 1"
- 06 SALIDA CONDENSADOS (DTT-45) 1"
- 07 SALIDA CONDENSADOS (DTT-60/80) 1"
- 08 VALVULA ANTI INCENDIO 3/4"

- 01 ELECTRIC CONNECTION
- 02 FUMES OUTLET Ø300
- 03 GAS CONNECTION 3/4"
- 04 STEAM CONNECTION (DTT-45) 1"
- 05 STEAM CONNECTION (DTT-60/80) 1"
- 06 CONDENSATION OUTLET (DTT-45) 1"
- 07 CONDENSATION OUTLET (DTT-60/80) 1"
- 08 FIRE EXTINGUISHER WATER VALVE 3/4"

|       | A    | B    | C   | D    | E   | E1 | F    | G    | H   | I   | J   | K   | L    | M   | N   | O   | P    | Q   |
|-------|------|------|-----|------|-----|----|------|------|-----|-----|-----|-----|------|-----|-----|-----|------|-----|
| SR-45 | 2380 | 2045 | 874 | 1981 | 211 | 80 | 1270 | 1106 | 957 | 138 | 813 | 802 | 2088 | 214 | 240 | 244 | 1865 | 195 |
| SR-60 | 2380 | 2045 | 874 | 1981 | 211 | 80 | 1270 | 1366 | 957 | 138 | 813 | 802 | 2088 | 214 | 240 | 244 | 1865 | 195 |
| SR-80 | 2380 | 2045 | 874 | 1981 | 211 | 80 | 1270 | 1598 | 957 | 138 | 813 | 802 | 2088 | 214 | 240 | 244 | 1865 | 195 |