



**Catalogue**  
LAUNDRY  
**Chapter**  
DRYERS

**Model**  
SR-23 TP2 E PLUS 400V 3N 50Hz

19071885

14/02/2020

**ADVANCE PLUS DRYER, SR-23 TP2 E PLUS**

**KEY FEATURES:**

**01.GREEN FLOW SYSTEM**

To achieve maximum energy savings, we have created an air recirculation system that sends hot expelled air back into the drum. The ADVANCE PLUS range reuses hot air, reducing the maximum drying cycle time and energy consumption.

**02. TOTAL FLOW**

An innovative and optimised mixed airflow for Advance Plus dryers. The standard axial-radial airflow (mixed flow) is complemented by additional openings to optimised the air circuit and reach maximum efficiency.

**03.DOUBLE SKIN**

Double skin and a double-glazed door that provide a complete thermal insulation of the machine for improved energy efficiency.

**OPL <-> SELF-SERVICE**

The machines can be converted from OPL to Selfservice and vice versa from the TP2 control.

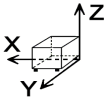
- Green flow system: air recirculation system that allows air to be reused for greater energy savings and improved airflow.
- iDry System (Intelligent moisture sensor + temperature control at the drum entrance).
- Double skin that provides thermal insulation for the best possible energy efficiency.
- Fully Programmable Touch Plus Control Processor (TP2) with 7" touchscreen.
- External steel casing with grey coating (skinplate), stainless steel, easy to clean finish.
- Stainless steel drum.
- Total Flow: Optimised axial-radial airflow.
- Drum with stamped perforations to guarantee the gentle treatment of fabrics.
- Lint filter at the bottom, more ergonomic, larger and improved airflow.
- Automatic reverse rotation of the drum.
- Frequency inverter for smoother operation.
- Double-glazed door with a large opening.
- Anti-wrinkle system.
- End of cycle tone.
- Emergency stop button and security micro magnet to stop operation.
- Fire Kare System (Integrated fire prevention system).
- Motion transmission by geared motor

**OPTIONS:**

- Reverse opening door.
- Stainless steel casing.
- Stainless steel front.
- Wooden packaging.
- Air intake filter.
- Fluff filter.
- Tropicalised electronics.
- WI-FI
- Printer.
- Design

**DIMENSIONS**

X Width	890 mm	X Gross width	970 mm
Y Depth	1255 mm	Y Gross depth	1345 mm
Z Height	1812 mm	Z Gross height	1940 mm
Net Weight	210,0 kg	Gross Weight	230,0 kg
Net volume	2,020 m3	Gross volume	2,531 m3



**ELECTRICITY TECHNICAL SPECIFICATIONS**

Engine power	0,37 kW
Fan Motor Power	0,75 kW
Electric power	25,170 kW
Amperage (A)	36,4
Heating power	24,00 kW
Voltage	400V - 3N
Electric frequency	50Hz

**AIR TECHNICAL SPECIFICATIONS**

Maximum airflow	1500 m3/h
-----------------	-----------

**CONNECTIONS TECHNICAL SPECIFICATIONS**

230 V three-phase wiring	4 X 25 / 80A
Three-phase +N 400V wiring	5 X 10 / 40A
Water inlet diameter	1/2"
Extraction 1 diameter	200,00 mm

**OTHERS**

Load capacity 1/18	25,60 kg
Load capacity 1/20	23,00 kg
Drum volume	460 L
Drum diameter	855 mm
Drum depth	800 mm
Hourly Output **	41,2 kg/h
Evaporation capacity *	20,6 L/h
Noise level	65,00 dB



Catalogue  
**LAUNDRY**

Chapter  
**DRYERS**

Model  
**SR-23 TP2 E PLUS 400V 3N 50Hz**

19071885

14/02/2020

Placement of the door:  
Door center height: 1030 mm  
Door base height: 672 mm  
Door opening diameter: 574 mm

\* Drying conditions: complete loading (1/20) of towels, drying temperature 90°C.

\*\*\* kg dry clothes per hour. Drying conditions: complete loading (1/20) of towels, drying temperature 90°C.

"



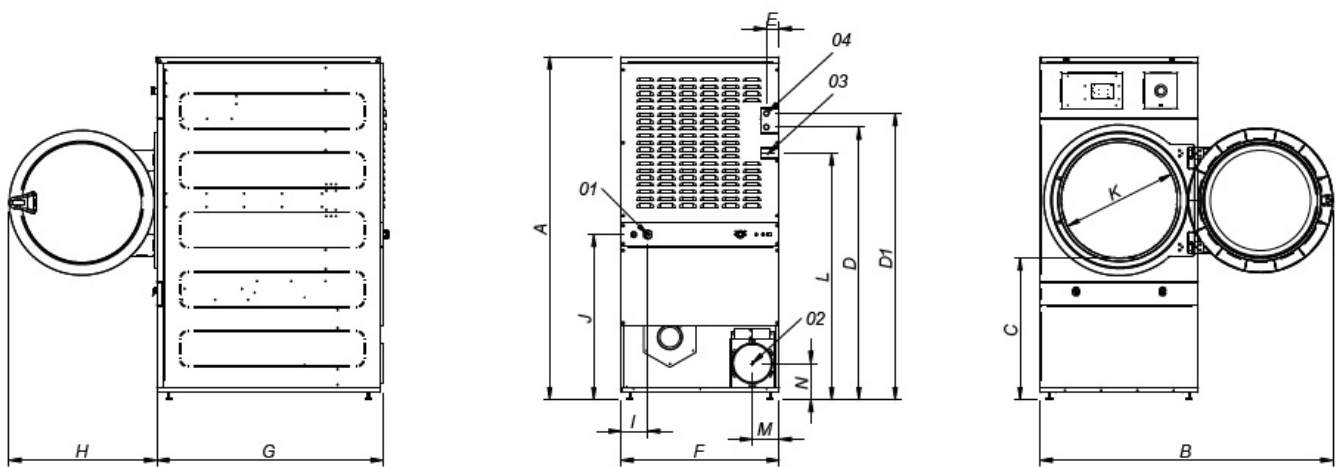
Catalogue  
**LAUNDRY**

Chapter  
**DRYERS**

Model  
**SR-23 TP2 E PLUS 400V 3N 50Hz**

19071885

14/02/2020



01 ACOMETIDA ELÉCTRICA  
02 SALIDA VAHOS Ø200  
03 ENTRADA GAS 1/2"  
04 ENTRADA VAPOR 3/4"

01 ELECTRIC CONNECTION  
02 FUMES OUTLET Ø200  
03 GAS CONNECTION 1/2"  
04 STEAM CONNECTION 3/4"

	A	B	C	D	D1	E	F	G	H	I	J	K	L	M	N
SR-SC-11	1694	1447	689	1354	1422	68	785	855	735	95	821	575	1226	133	180
SR-SC-16	1694	1447	689	1354	1422	68	785	1125	735	95	821	575	1226	133	180
SR-SC-23	1812	1552	743	1430	1532	112	890	1255	735	205	862	575	1344	133	180