



Catalogue
LAUNDRY
Chapter
DRYERS

Model
 SR-16 TP2 G PLUS 230V 1N 50/60Hz

19071876

14/02/2020

ADVANCE PLUS DRYER, SR-16 TP2 G PLUS

KEY FEATURES:

01. GREEN FLOW SYSTEM

To achieve maximum energy savings, we have created an air recirculation system that sends hot expelled air back into the drum. The ADVANCE PLUS range reuses hot air, reducing the maximum drying cycle time and energy consumption.

02. TOTAL FLOW

An innovative and optimised mixed airflow for Advance Plus dryers. The standard axial-radial airflow (mixed flow) is complemented by additional openings to optimised the air circuit and reach maximum efficiency.

03. DOUBLE SKIN

Double skin and a double-glazed door that provide a complete thermal insulation of the machine for improved energy efficiency.

OPL <-> SELF-SERVICE

The machines can be converted from OPL to Selfservice and vice versa from the TP2 control.

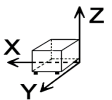
- Green flow system: air recirculation system that allows air to be reused for greater energy savings and improved airflow.
- iDry System (Intelligent moisture sensor + temperature control at the drum entrance).
- Double skin that provides thermal insulation for the best possible energy efficiency.
- Fully Programmable Touch Plus Control Processor (TP2) with 7" touchscreen.
- External steel casing with grey coating (skinplate), stainless steel, easy to clean finish.
- Stainless steel drum.
- Total Flow: Optimised axial-radial airflow.
- Drum with stamped perforations to guarantee the gentle treatment of fabrics.
- Lint filter at the bottom, more ergonomic, larger and improved airflow.
- Automatic reverse rotation of the drum.
- Frequency inverter for smoother operation.
- Double-glazed door with a large opening.
- Anti-wrinkle system.
- End of cycle tone.
- Emergency stop button and security micro magnet to stop operation.
- Fire Kare System (Integrated fire prevention system).
- Motion transmission by geared motor

OPTIONS:

- Reverse opening door.
- Stainless steel casing.
- Stainless steel front.
- Wooden packaging.
- Air intake filter.
- Fluff filter.
- Tropicalised electronics.
- WI-FI
- Printer.
- Dosing

DIMENSIONS

X Width	785 mm	X Gross width	865 mm
Y Depth	1125 mm	Y Gross depth	1210 mm
Z Height	1694 mm	Z Gross height	1840 mm
Net Weight	187,0 kg	Gross Weight	200,0 kg
Net volume	1,500 m3	Gross volume	1,926 m3



ELECTRICITY TECHNICAL SPECIFICATIONS

Engine power	0,37 kW
Fan Motor Power	0,55 kW
Electric power	0,970 kW
Amperage (A)	4,2
Voltage	230V - 1N
Electric frequency	50/60Hz

GAS TECHNICAL SPECIFICATIONS

Gas type	NG
Gas consumption	1,700 m3/h
Regulated	NG G20/G25/G25.1 20/25/25 mbar

AIR TECHNICAL SPECIFICATIONS

Maximum airflow	1200 m3/h
-----------------	-----------

CONNECTIONS TECHNICAL SPECIFICATIONS

230 V three-phase wiring	3 X 1,5 / 20A
Single-phase 230V wiring	3 X 1,5 / 20A
Three-phase +N 400V wiring	3 X 1,5 / 20A
Gas diameter 1	1/2"
Water inlet diameter	1/2"
Extraction 1 diameter	200,00 mm

OTHERS

Load capacity 1/18	18,30 kg
Load capacity 1/20	16,50 kg
Drum volume	330 L
Drum diameter	750 mm
Drum depth	746 mm
Hourly Output **	33,6 kg/h
Evaporation capacity *	16,3 L/h
Noise level	64,00 dB



Catalogue
LAUNDRY

Chapter
DRYERS

Model
SR-16 TP2 G PLUS 230V 1N 50/60Hz

19071876

14/02/2020

Placement of the door:
Door center height: 976 mm
Door base height: 618 mm
Door opening diameter: 574 mm

* Drying conditions: complete loading (1/20) of towels, drying temperature 90°C.

*** kg dry clothes per hour. Drying conditions: complete loading (1/20) of towels, drying temperature 90°C.

"



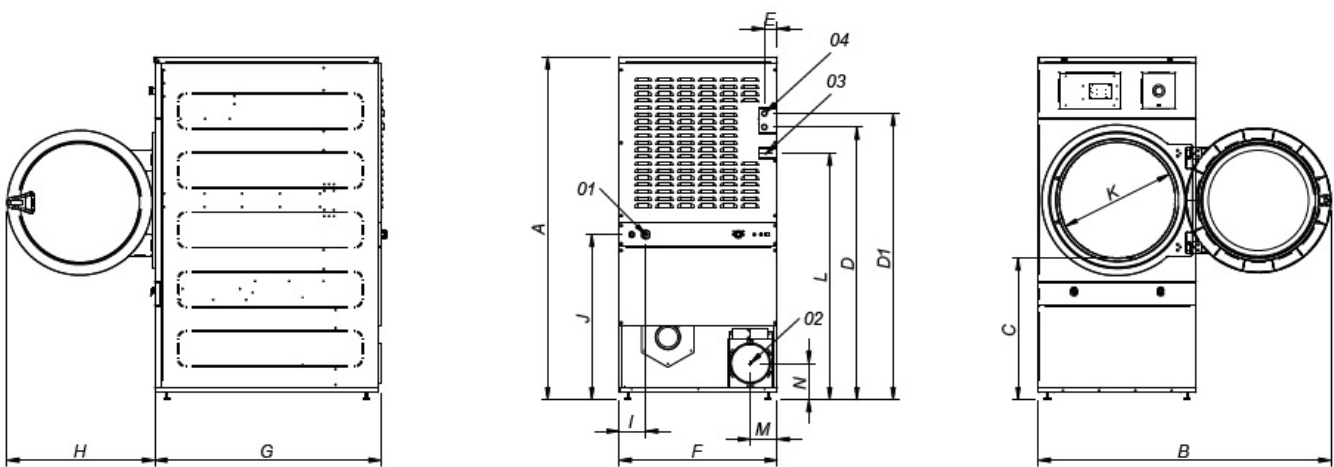
Catalogue
LAUNDRY

Chapter
DRYERS

Model
SR-16 TP2 G PLUS 230V 1N 50/60Hz

19071876

14/02/2020



01 ACOMETIDA ELÉCTRICA
02 SALIDA VAHOS Ø200
03 ENTRADA GAS 1/2"
04 ENTRADA VAPOR 3/4"

01 ELECTRIC CONNECTION
02 FUMES OUTLET Ø200
03 GAS CONNECTION 1/2"
04 STEAM CONNECTION 3/4"

	A	B	C	D	D1	E	F	G	H	I	J	K	L	M	N
SR-SC-11	1694	1447	689	1354	1422	68	785	855	735	95	821	575	1226	133	180
SR-SC-16	1694	1447	689	1354	1422	68	785	1125	735	95	821	575	1226	133	180
SR-SC-23	1812	1552	743	1430	1532	112	890	1255	735	205	862	575	1344	133	180