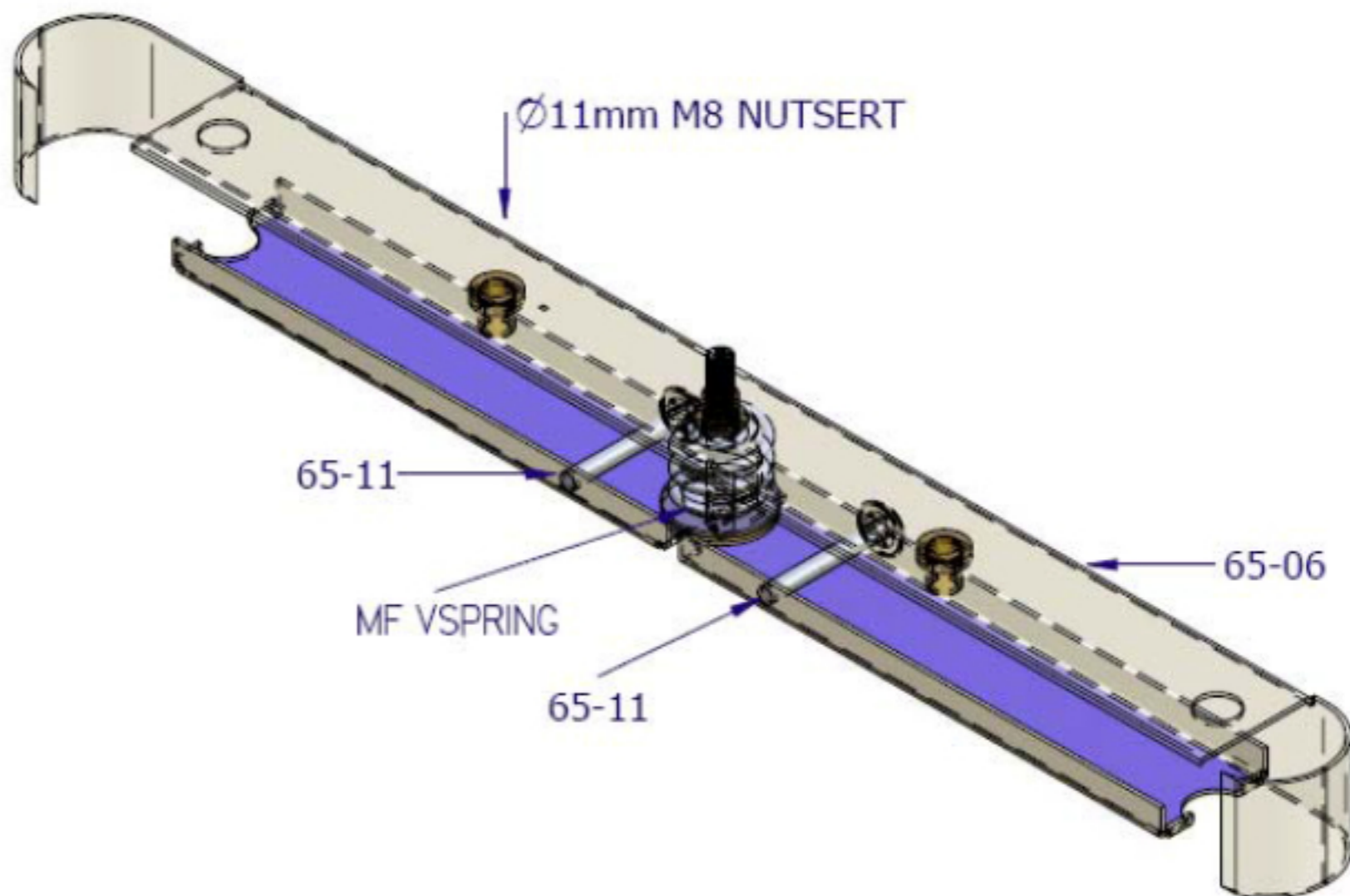


# **Compensator assembly**



PROTOTYPE	PROTOTYPE CODE EQVICG		PROTOTYPE NAME VIZU CLAM GRILL 450				BUILD NO. 01	
	PART CODE 65-CAVGA		PART DESCRIPTION COMPENSATOR ASSEMBLY ISO VIEW GA				MIRRORED ? NO	
	QUANTITY 01	MATERIAL MIXED	FINISH DP	GAUGE 18SWG	DATE 02/05/2007	SCALE NTS	DESIGNED JMS	
	NOTE: PROTOTYPE ONLY. DO NOT BATCH MANUFACTURE FROM THIS DRAWING		NOTE: REMOVE ALL BURRS, CHAMF CORNERS AND EDGES		PROPERTY OF FACT FISS SYSTEMS LTD. MAY NOT BE REPRODUCED OR USED FOR PURPOSES OTHER THAN THOSE FOR WHICH IT IS SUPPLIED WITHOUT WRITTEN PERMISSION.			
	UNIT 1, HERLEY WALK 9, HERLEY ROAD EAST, WOODLEY, READING, BERKSHIRE. RG5 4SQ		EXTERNAL DIMENSIONS		MIRROR EXCEPTION			