



Breader/Blender/Sifter

SPECIFICATION

The **AyrKing BBSU3615-3814** is a portable automatic Blender/Sifter machine thanks to its' small footprint and lockable casters. AyrKing's rotary brush sifter operates without detrimental vibration or agitation. AyrKing's brush is made of spirally configured nylon bristles which form an auger to eject unwanted dough balls to waste container. During the sifting process ingredients are fully blended as the brush tumbles breaded media before it exits through the sifter screen. AyrKing's unique process prevents dough ball grinding, eliminates the usual sifting noise, & blends ingredients as it ejects waste.



ADVANTAGES

- ◆ Sift and blend 25 lbs (11 kg) of breading in 60 seconds!
- ◆ Rotary auger brush blends, sifts, and ejects dough balls simultaneously
- ◆ Blending brush action prevents ingredient segregation, unlike vibrating or agitating systems
- ◆ Quiet, vibration-free operation creates results, not disturbances
- ◆ Sixty second timed cycle frees labor and saves energy
- ◆ Fully enclosed sifter with only three internal parts, reduces dust and allows quick and easy cleaning
- ◆ Direct drive, steel geared motor & solid stainless steel fabrication provide lasting performance
- ◆ Lockable casters and small footprint make this the ultimate portable breading station

INCLUDED ACCESSORIES

- B631** Swivel Casters, Four Locking 3.5"
- B101** Red Plastic Lug Plug
- B105** S/S Full Size Breeding Lug w/Hole, 8" Deep
- B106** S/S Full Size Breeding Lug w/o Hole, 8" Deep
- B107** S/S Lug Cover
- B122** S/S Wire, Round Dip Basket
- B123** S/S Round Dip Pot
- B150S** Black Bristle 20" Sifter Brush
- B201S** S/S Brush Cover 20"
- B202S** 20" Sifter Screen
- B304** White Plastic Dough Ball Pan
- B381** Dip Pot Cover Plate

OPTIONAL ACCESSORIES

- B124** S/S Round Dip Pot Lid
- B126** S/S Wire Feathering Basket
- B128** S/S 2/3 Size Pan, 6" Deep
- B129** S/S Wire 2/3 Size Basket
- B523** S/S Flat Adapter Plate w/o Hole
- B411** S/S C-Shaped Clip to Hold Bun Pan

MODELS

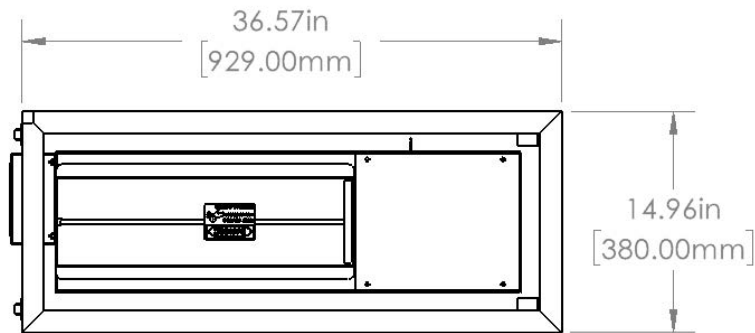
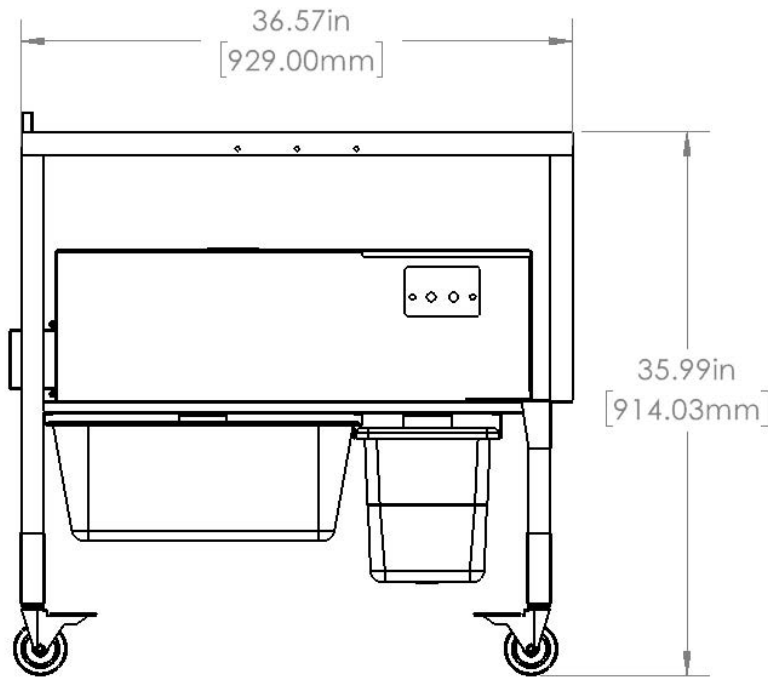
BBSU3615-3814

MODELS

CRATED MEASUREMENTS

UNCRATED

	LENGTH	WIDTH	HEIGHT	WEIGHT	WEIGHT
BBSU3615-3814	39" (991mm)	17" (432mm)	45" (1143mm)	170 lb (77kg)	135 lb (61kg)



ELECTRICAL

Timed control board automatically senses voltage & operates at either:

115V, 50/60Hz, 1 phase, 1.6 AMP, 184W

230V, 50/60Hz, 1 phase, 0.9 AMP, 207W

Includes universal male three prong, recessed AC receptacle

(IEC 320 C13) mating to an 10 foot (3048mm) cord with NEMA 5-15P male three prong plug

WARRANTY

One Year Parts

Ninety Days Labor

No Travel Time



2013 Cobalt Drive
Louisville, KY 40299-2417

502.266.6270 | ayrking.com

