

### Technical data

Technical data Easy	U.M.	LAM2 507 BENCH	LAM2 510 BENCH	LAM2 507	LAM2 510
Dimensions belt ExB <i>(measured from the roll's center)</i>	mm	495x850	495x1000	495x850	495x1000
Dimensions on work AxCxDxF	mm	1700x671x180x970	2000x671x180x970	2215x1165x900x970	2515x1165x900x970
Dimensions at rest FxGxH	mm	970x1019x840	970x1135x983	970x1685x712	965x1723x1800
Packaging dimensions	cm	115x80x145H		115X120X180H	115X120X195H
Net weight machine	kg	120	121	172	185
Weight machine + packaging	kg	148	149	222	235
Rated power supply	kW	0,55			
Supply voltage	V	220 / 380 / 415 / 440 / 460 /480			
Frequency	Hz	50 -60			
Electrical phases		1/3	1/3	1/3	1/3
Belt speed	cm/s	60 cm/s (standard) - 12-60 cm/s with energy saving			

Technical data Easy	U.M.	LAM2 512	LAM2 610 BENCH	LAM2 610	LAM2 612
Dimensions belt ExB <i>(measured from the roll's center)</i>	mm	495x1200	595x1000	595x1000	595x1200
Dimensions on work AxCxDxF	mm	2915x1165x900x970	2000x671x180x1070	2515x1165x900x1070	2915x1165x900x1070
Dimensions at rest FxGxH	mm	970x2016x940	1070x1135x983	1070x1826x810	1070x2016x2368
Packaging dimensions	cm	115X120X180H	115X80X145H	115X120X195H	115X120X180H
Net weight machine	kg	190	126	205	206
Weight machine + packaging	kg	240	154	255	256
Rated power supply	kW	0,55	0,75		
Supply voltage	V	220 / 380 / 415 / 440 / 460 /480			
Frequency	Hz	50 -60			
Electrical phases		1/3	1/3	1/3	1/3
Belt speed	cm/s	60 cm/s (standard) - 12-60 cm/s with energy saving			

Technical data Easy	U.M.	LAM2 614	LAM2 616	LAM 6510	LAM2 6514	LAM 6516
Dimensions belt ExB <i>(measured from the roll's center)</i>	mm	595x1400	595x1600	645x1000	645x1400	645x1600
Dimensions on work AxCxDxF	mm	3315x1165x900x1070	3715x1165x900x1070	2515x1165xDx1108	3315x1165xDx1108	3715x1165xDx1108
Dimensions at rest FxGxH	mm	1070x2205x1070	1070x2390x1200	1108x1826x810	1108x2205x1070	1108x2390x1200
Packaging dimensions	cm	115x120x180H		115x130x180H		
Net weight machine	kg	220	230	226	250	270
Weight machine + packaging	kg	270	280	276	300	320
Rated power supply	kW	0,75		1,5		
Supply voltage	V	220 / 380 / 415 / 440 / 460 /480				
Frequency	Hz	50 -60				
Electrical phases		1/3	1/3	1/3	1/3	1/3
Belt speed	cm/s	60 cm/s (standard) - 12-60 cm/s with energy saving				

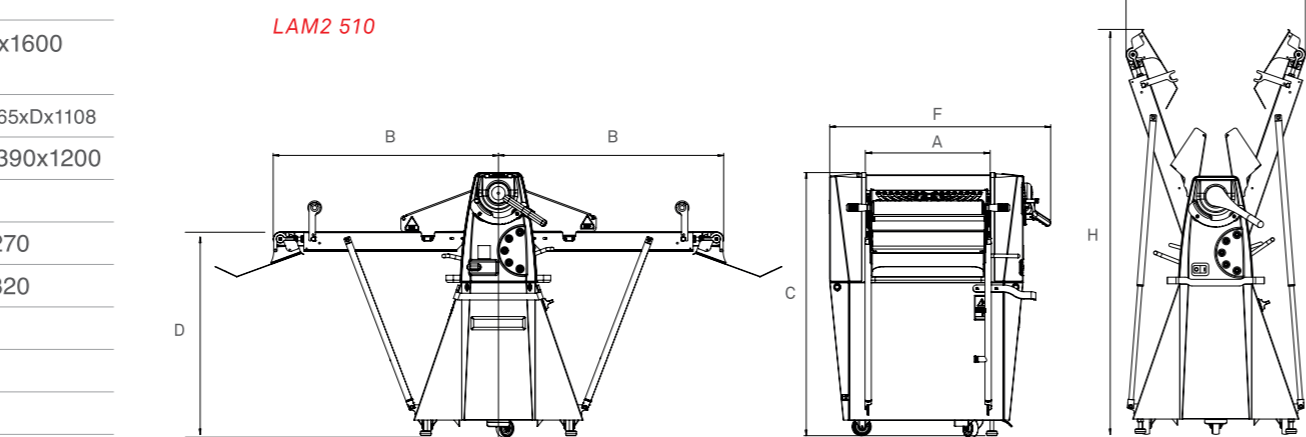
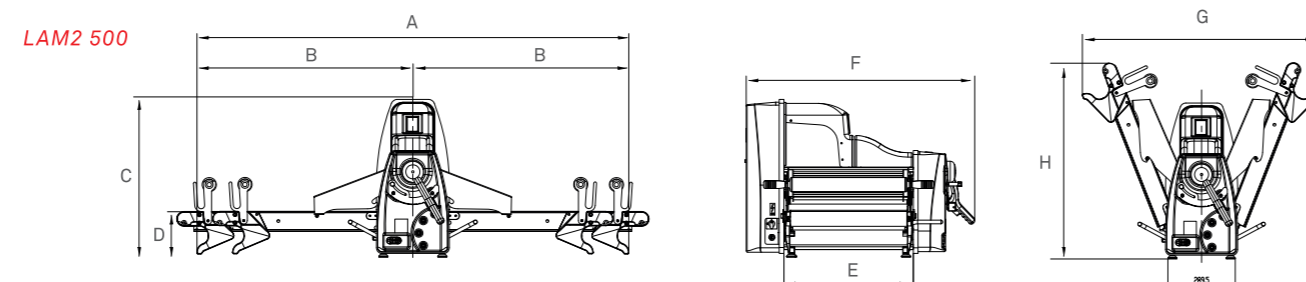
### P.A.D.

Thanks to our constant attention to the customer and following the needs of a constantly evolving market, we have created a new interface between user and machine: PAD.

Our Process Assist Device will allow you to work more easily and tidily, eliminating recipes attached to the wall and post-its from your laboratories. With PAD, in fact, you can save your recipes up to a maximum of 30 and recall them whenever you need to carry out the processing. This device, created exclusively by Tekno Stamap for its most demanding customers, will allow you to work with your LAM2 manual sheeters, bag makers and refiners with an innovative and functional human-machine interaction for your laboratories.

The PAD display will show information regarding the cylinder opening quota, the processing specifications of each saved program, the number of processes required to complete the cycle and much more.

In fact, PAD will also be used to keep your Tekno Stamap machine under control, as it will notify you in time of all ordinary maintenance and work time, to monitor use and improve assistance and increase attention to the needs of each our customer.

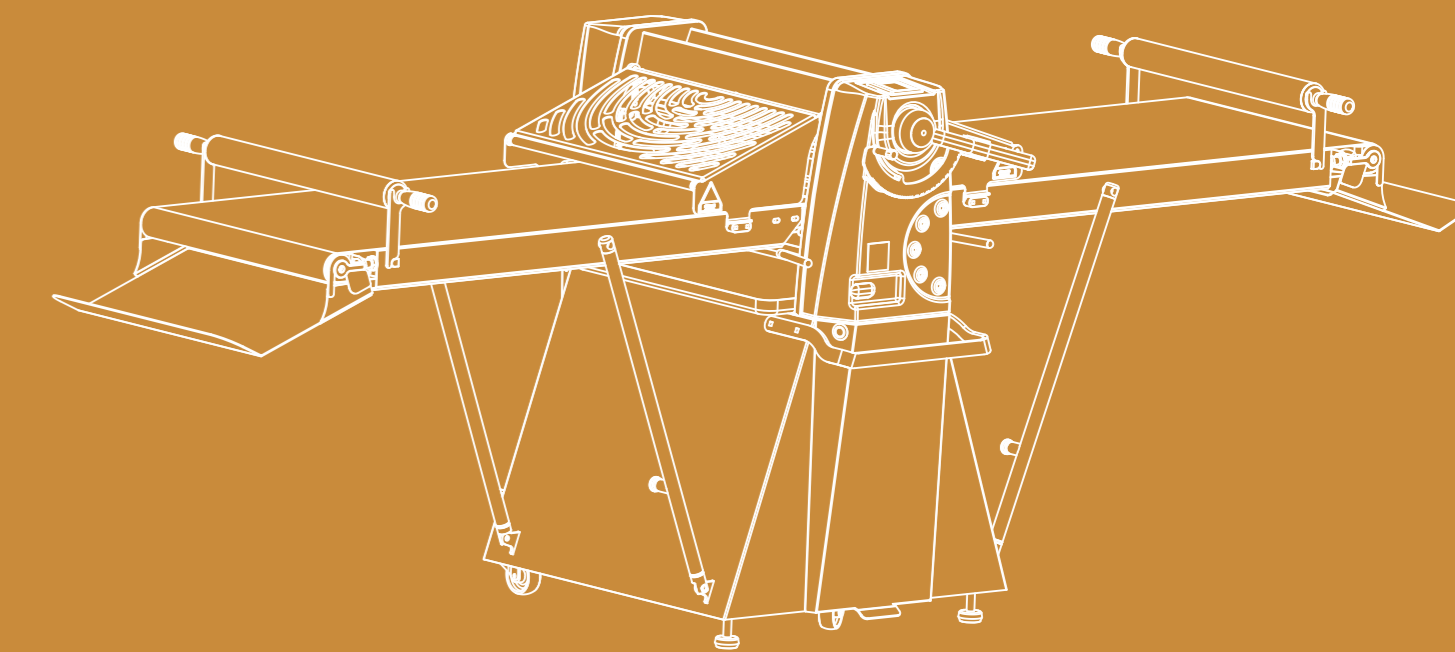


Tekno Stamap reserves the right to make technical changes at any time and without notice.

# Lam 2

Manual sheeters

MADE IN ITALY



## Tekno Stamap

Via Tretti Marotti, 4  
36040 Grisignano di Zocco  
Vicenza \_ Italy

T.: 0039 0444 - 414 735  
F.: 0039 0444 414 719

www.teknostamap.eu  
info@teknostamap.com

**Tekno Stamap**  
Technology boosting creativity

www.teknostamap.eu

EN

# Lam 2

Manual sheeters

## SHEETS PERFECTLY DONE

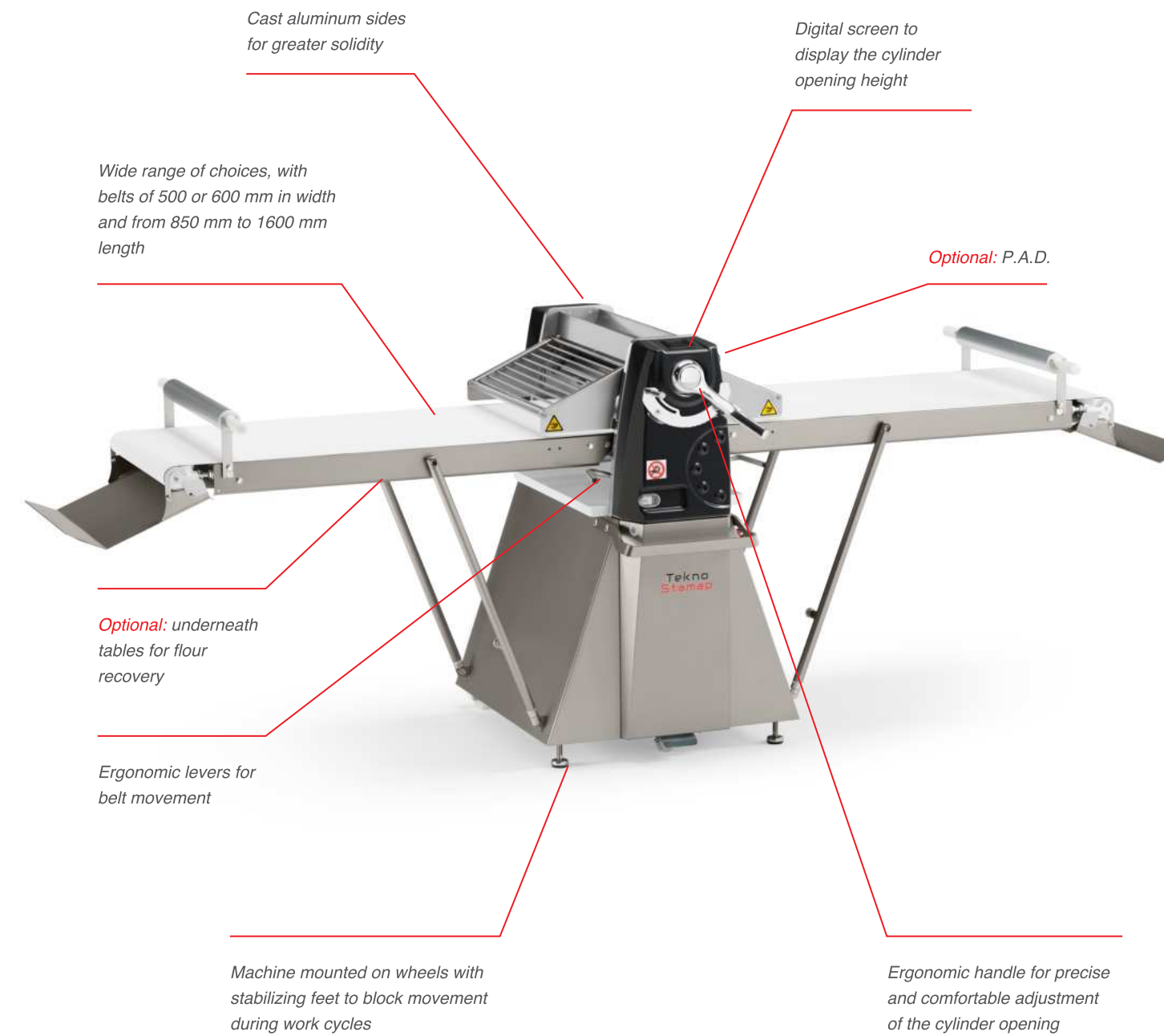
The Lam2 family of dough sheeters offers the best of Tekno Stamap quality for manual dough sheeters. The high strength of the base, the power of the engine, the modern line and the quality and completely non-toxic materials position our range at the top in terms of quality, reliability and efficiency.

The wide list of options also allows you to customize your machine according to the needs of each laboratory, to meet the processes required in pastry shops around the world.

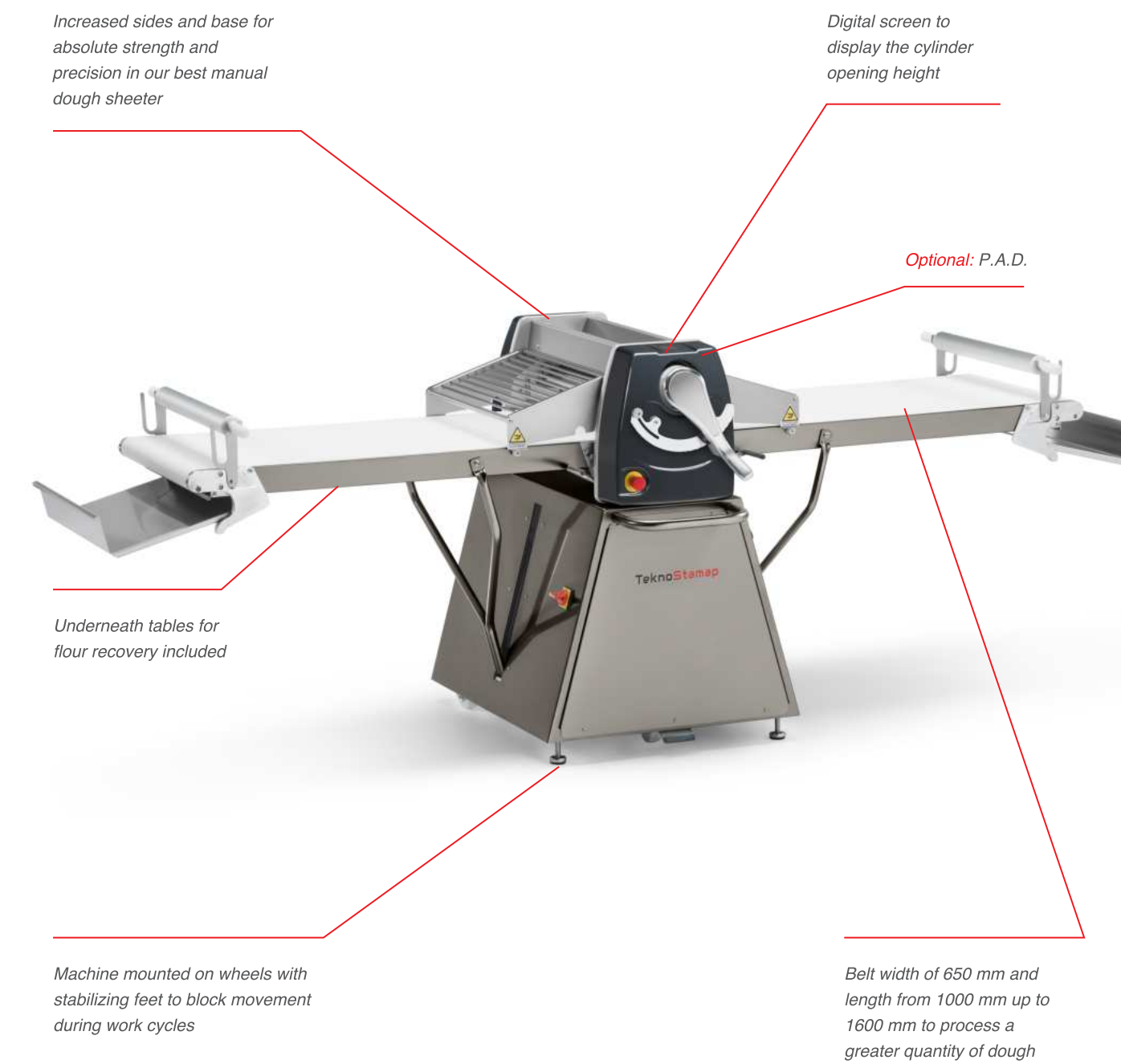
With the innovative Tekno Stamap P.A.D. system our dough sheeters also become extremely simple, just follow the instructions on the screen to obtain the same result at each working cycle without errors.

Our Lam2 manual sheeters, on request, can be entirely built in stainless steel.

### Lam2 500-600



### Lam 650



**Ideal for sheeting even reduced thicknesses of dough**



### BENCH MODEL

The Lam2 500-600 can also be ordered in a bench model with a length of 850 mm or 1000 mm belts, to maintain maximum efficiency by limiting the overall dimensions



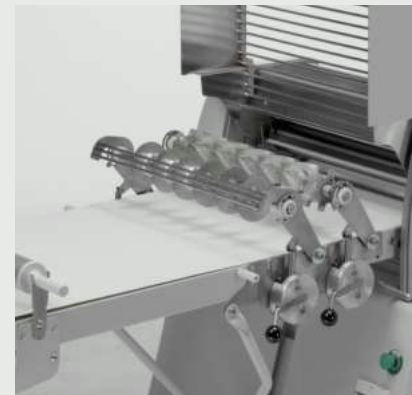
### FOLDING TABLES

All the tables in the range can be folded at the end of the work cycle to reduce the overall dimensions of the machine at rest



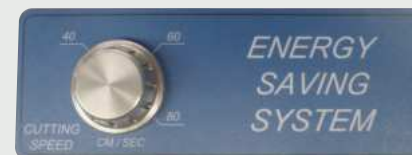
### CUTTING DEVICE

**Optional:** The cutting device combined with the energy saving system speed variator is optional for all models from 1400 mm



### ENERGY SAVING SYSTEM

**Optional:** the "Energy saving system" with variable speed system



### DOUBLE CONTROL

**Optional:** Available for all free standing models the food pedal control option.

