



MINIMA 600 - ELEMENTS NEUTRES

N66C



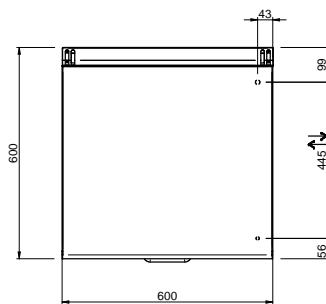
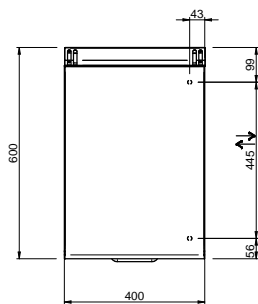
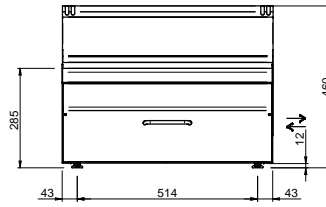
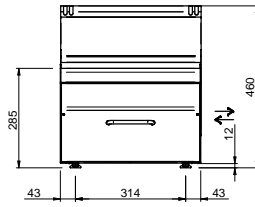
TOP

SPÉCIFICATIONS TECHNIQUES:

| | |
|------------------------------------|----------|
| Dimensions exterieure - LxPxH (cm) | 60x60x27 |
| Tiroir | ● |

SPÉCIFICATIONS SUPPLÉMENTAIRES:

| | |
|-------------|-----|
| Poids (kg) | 27 |
| Volume (m3) | 0,3 |



LEGENDA SIMBOLI / LEGEND



INGRESSO GAS / GAS INLET
(EN 10226-1) Ø M 1/2"



INGRESSO ACQUA /
WATER INLET Ø M 1/2"



ATTACCO EQUIPOTENZIALE /
EQUIPOTENTIAL



ALIMENTAZIONE ELETTRICA /
POWER SUPPLY



SCARICO ACQUA / OLII
WATER / OILS DRAIN



REGOLAZIONE PIEDINI /
FEET ADJUSTMENT (h 0/+50)
/ TOP VERSION (h 0/+5)