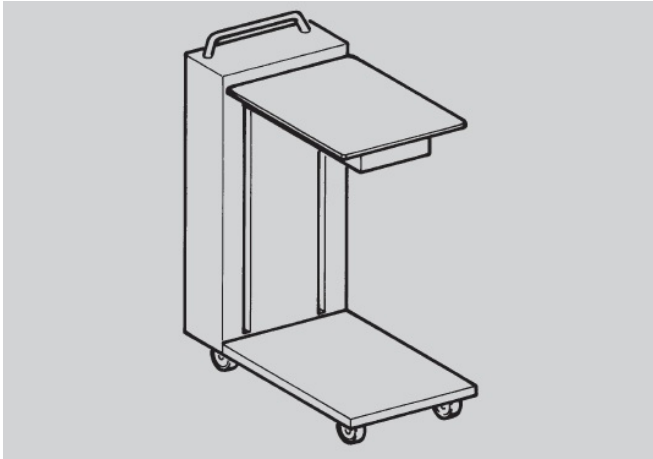




PREPARATION - CHARIOTS

## CAV2

---



Chariots

**SPÉCIFICATIONS TECHNIQUES:**

---

Dimensions exterieure - LxPxH (cm)

40x70x90