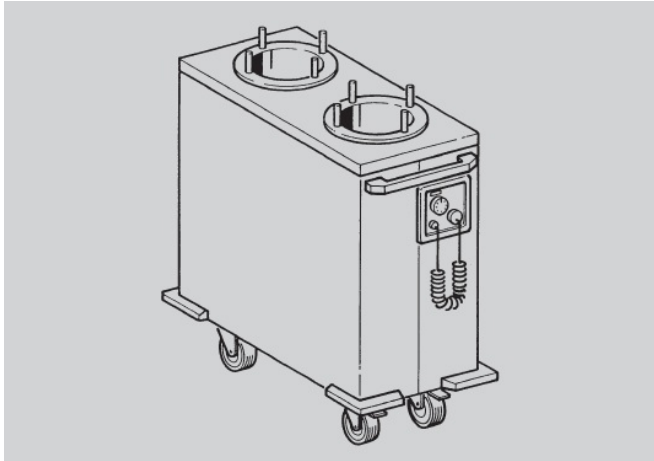




PREPARATION - CHARIOTS

CAP2



Chariots

SPÉCIFICATIONS TECHNIQUES:

Dimensions exterieure - LxPxH (cm)

40x70x90