

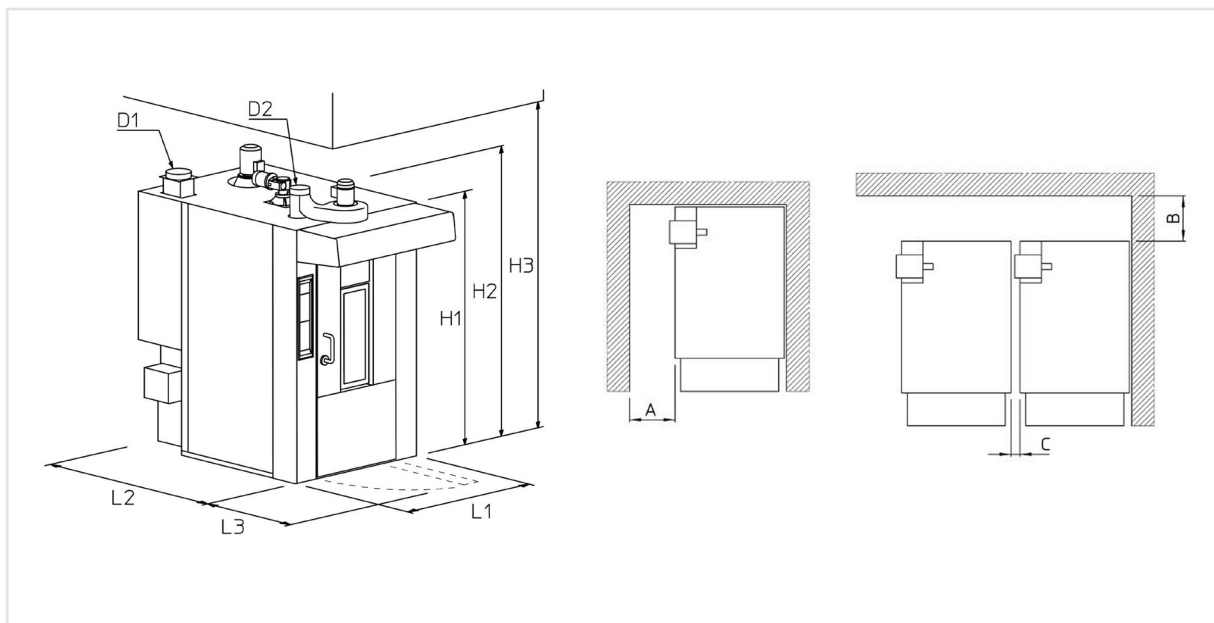
ROTO CLASSIC



- Steamers with automatic feed
- Hood with exhaust fan
- Door with double glass
- El/elements heat generator.(SE)
- Standard rotation device with hook (for ergonomic reasons it's recommended for racks up to 100 kg full load)
- Electric board with extended cables to hang it on oven's sides
- Racks height 1815 mm

POWER INLET	400V/3N~/50
FUME EXHAUST	Ø 200
STEAM EXHAUST	Ø 150 (MOD 6080) Ø 250*** (MOD 8095)

*** Minimum diameter pipe = 200 mm



Tipo forno Oven		L1 mm	L2 mm	L3 mm	H1 mm	H2 mm	H3 mm	A mm	B mm	C mm	Scarico fumi Fume exhaust D1 Ø mm	Scarico vapore Steam exhaust D2 Ø mm
6080	SC	1430	1930	860	2200	2550	2700	600	600	140*	200	150
	SE							1000	0	0**	-	150
8095	SC	1730	2225	1070	2300	2670	2820	600	600	50*	200	250 ***
	SE							1000	0	0**	-	250 ***

* Distanza minima con bruciatore Riello a gas (per facilitare la manutenzione si consiglia di aumentare la quota di almeno 100 mm)
Minimum distance with Riello gas burner (for easier maintenance we suggest to increase the distance at least 100 mm)

** Per eventuale sostituzione gruppo resistenze è necessario spostamento forno
To replace the electric elements group it is necessary to move the oven

*** Diametro minimo tubazione = 200 mm / Minimum diameter pipe = 200 mm

	Pan capacity	Pan size	Minimum door width	Weight	Voltage	SC version		SE version						
						n°	passo	mm	mm	kg	kW	kcal/h	Standard	Potentiated
													kW	kW
ROTO CLASSIC 6080	15	105	600x800	500	1400 SC 1350 SE	2,0	60.000	50,4	58,5					
	18	87	2x600x400											
ROTO CLASSIC 8095	15	105	600x990	800	1720 SC 1670 SE	3,0	70.000	55,3	65,8					
	18	87	800x800											
	18	87	2 660x930 2 760x930											