



Total Food-Service Solutions

## Modular Cooking –Oriental

### Gas Euro Range

#### NGER 20-70



\*Due to routine technical improvement, the photograph shown may not represent the latest design of the products.

#### AVAILABLE MODEL

1. NGER 20-70

#### DESCRIPTION

Wok Super Range with Triple Cooking Zone. Versatile as Open Burner, Pot Cooker, or Wok Open Burner. Higher Power Burner and Higher Splash Back compared to NGER 60 Series. Designed with only 700 mm depth. Constructed with deep drawn wok with cast iron of pot holder and combined with wok holder adapter. Dust Collection Drawer included below the front panel for hygiene cleaning operation. Compatible installation with others 70 Wok Super Range Series.

ITEM# : \_\_\_\_\_

MODEL# : \_\_\_\_\_

NAME : \_\_\_\_\_

SN : \_\_\_\_\_

#### MAIN FEATURE

- Gas Appliance supplied with G20 and G30/G31 components as standard.
- Gas system is equipped by safety device (thermocouple, failure function and gas filter).
- Iron Cast Wok Support to fit variety diameters of
- Wok Oil collecting drawer provided.
- Dual Functions (Pan Cooking Ring and Wok).
- Unit to be installed free standing.

#### CONSTRUCTION

- All exterior panels is constructed of Stainless Steel.
- Adjustable  $\pm 25$  mm Stainless Steel leg.

#### INCLUDED ACCESSORIES

- Ignition hand lighter.
- Wok holder.

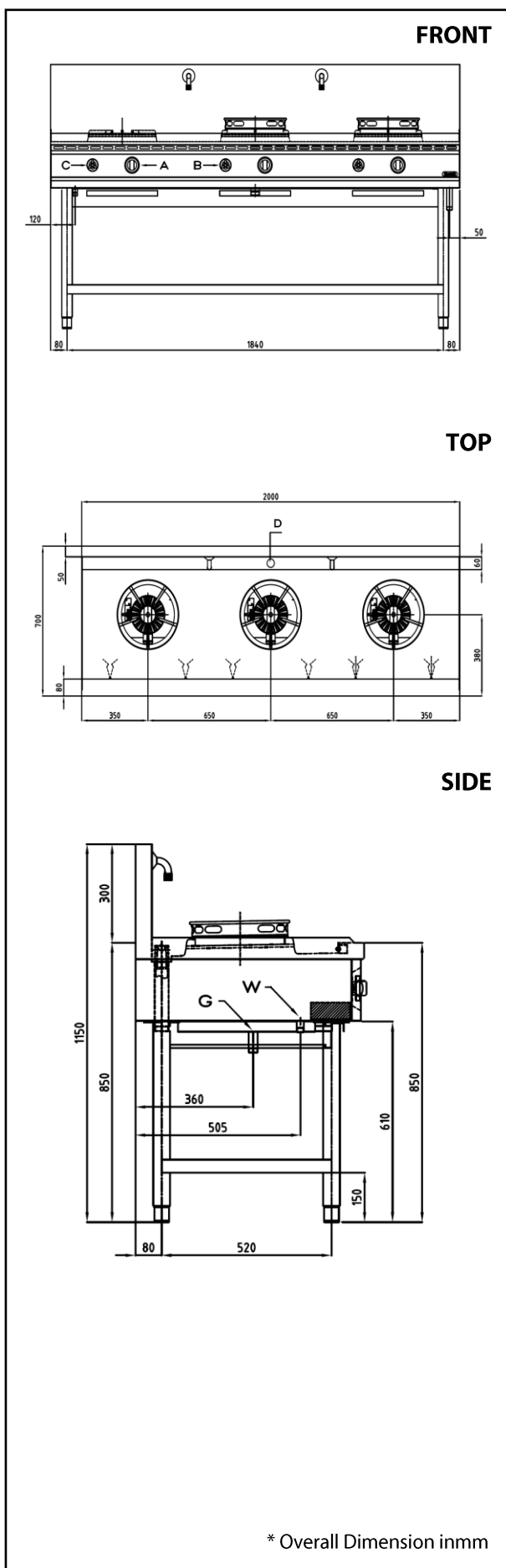
#### OPTIONAL ACCESSORIES

- N/A



The company reserves the right to make modifications to the products without prior notice. All information correct at time of printing.  
2018.01.03





### GAS

Gas Consumption (G20)	:	39 Kw
		(33,540kCal/h)
Gas Consumption (G30)	:	34.5 Kw
		(29,670kCal/h)
Gas Type Option	:	G20, G30/G31
Gas Connection	:	3/4"
Drain	:	1 1/4"
Water Connection	:	1/2"
LPG Gas Pressure	:	G20 : 20 mbar
		G25 : 20-25 mbar
		G30 : 28-30 mbar
		G31 : 37 mbar

### KEY INFORMATION

Cooking Surface Wok	:	Ø 280 mm
Direct heat emission (G20)	:	9.75 kW
Direct heat emission (G30)	:	8.62 kW
Latent heat emission (G20)	:	3.90 kW
Latent heat emission (G30)	:	3.45 kW
Steam emission (G20)	:	5.73 kg /h
Steam emission (G30)	:	5.07 kg /h
Number of Burners	:	3
Net weight	:	-
Shipping height	:	-
Shipping width	:	-
Shipping depth	:	-
Shipping volume	:	-