



Total Food-Service Solutions

## Oriental – Pot Cooker

### Gas Economic Table Low

#### NGETL 5-50 CE



\*Due to routine technical improvement, the photograph shown may not represent the latest design of the products.

#### DESCRIPTION

Gas Stock Pot with powerful 11.5 kW atmospheric burner. Designed to use as a portable appliance inside an Oriental Kitchen. Can be utilised as a Wok with the optional available cast iron Wok ring. The top panel is made of a one-piece cast iron potholder and the body of stainless steel for ease of cleanability and long lifetime.

#### MAIN FEATURES

- Designed as a portable unit in an Oriental kitchen.
- One, powerful 11.5 kW atmospheric gas burner.
- Large cast iron potholder for heavy duty use.
- Convertible to a Wok cooker with the optional available cast iron Wok ring.
- Equipped with, pilot burner, safety thermo-couple, gas valve and gas control knobs. Manual ignition.
- 

#### CONSTRUCTION

- Sturdy frame design made of stainless steel AISI 304.
- Top made of a one piece, cast iron potholder.
- All exterior panels made of stainless steel with hairline surface pattern.
- Height adjustable stainless steel legs.

#### INCLUDED ACCESSORIES

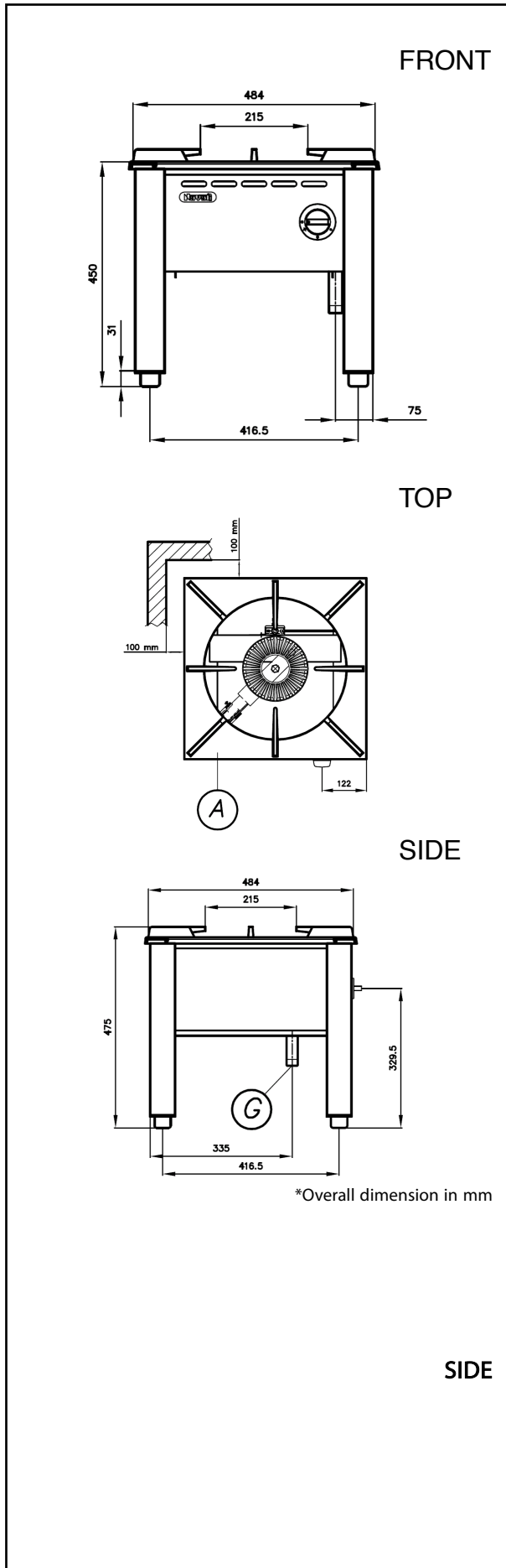
- Extra nozzles for main and pilot burner

#### OPTIONAL ACCESSORIES

- Cast iron Wok ring (suitable for Woks with a Ø 22" (559mm) to 24" (609 mm).



\_\_\_\_\_



#### TECHNICAL DATA

##### External Dimensions

Width	: 500 mm
Depth	: 500 mm
Height	: 450 mm

##### Cooking Surface

Pot Cooker	: Ø 484 mm
------------	------------

##### Gas Power Rating

Heat input total	: LPG 11.5 kW
	: LNG 13 kW

##### Number of burners

	: 1
Gas type options	: LPG G30, G31
	: LNG G20, G25

##### Connections

Gas	: 3/4"
Water	: N/A
Drain	: N/A

##### Heat and steam emission

Direct heat emission	: LPG 2.87 kW
	: LNG 3.25 kW
Latent heat emission	: LPG 1.15 kW
	: LNG 1.30 kW
Steam emission	: LPG 1.69 kg/h
	: LNG 1.91 kg/h

##### PACKAGING DATA

Width	: 520 mm
Depth	: 520 mm
Height	: 500 mm
Volume	: 0.135 m <sup>3</sup>
Weight	: 22 kg

\_\_\_\_\_