



HLZ-1 (with VCT-2000)

The Heated Bun Buffer HLZ-1 easily attaches to VCT-25, VCT-50, VCT-1000, and VCT-2000 toasters.

The heated landing zone keeps the freshly toasted buns warm until they are ready to be served.

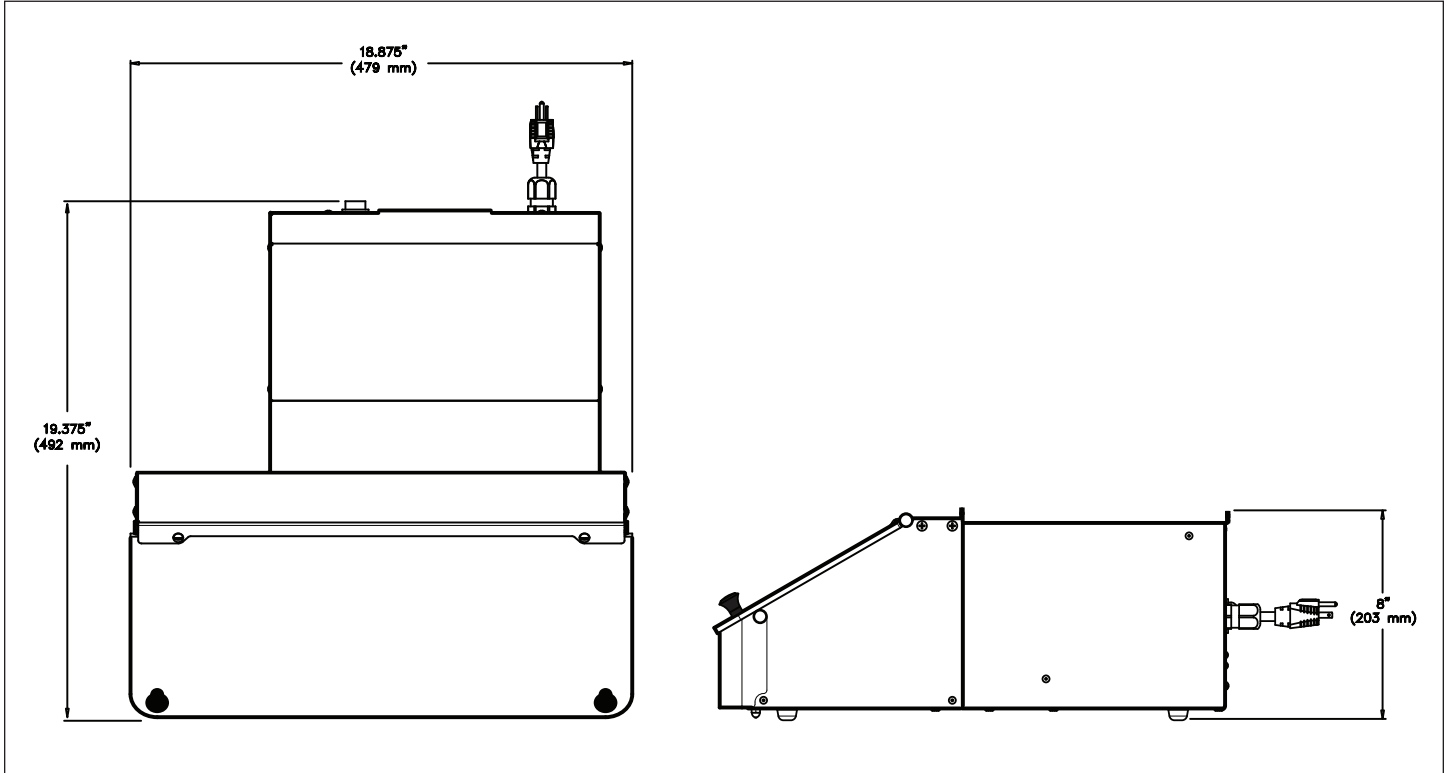
All our products are manufactured from the finest materials available and assembled to Roundup's strict quality standards.

All units are tested at the factory to ensure dependable trouble-free operation.

Features:

- Easy-Open Lid Keeps Buns Covered and Fresh
- Quick Installation – No Tools Needed!

Dimensions



Electrical Ratings - HLZ-1

Model & Mfg. Number	Volts	Watts	Amps	Hertz
HLZ-1 7000685	120	34	0.28	50/60

Electrical Cord & Plug Configurations

Model & Mfg. No.	Description	Configuration
HLZ-1 7000685	NEMA 5-15P, 15 Amp, 120 VAC	



A.J. Antunes & Co.
 Headquarters/Manufacturing
 180 Kehoe Boulevard
 Carol Stream, Illinois 60188 USA
 Phone (630) 784-1000
 Toll Free (800) 253-2991
 Fax: (630) 784-1650

Antunes Equipment
 Manufacturing (Suzhou) Ltd.,
 9 Hou Ju Road, Building #24,
 S&T Park, SND
 Suzhou, Jiangsu, China 215011
 Phone: 86-512-6841-3637
 Fax: 86-512-6841-3907

www.ajantunes.com