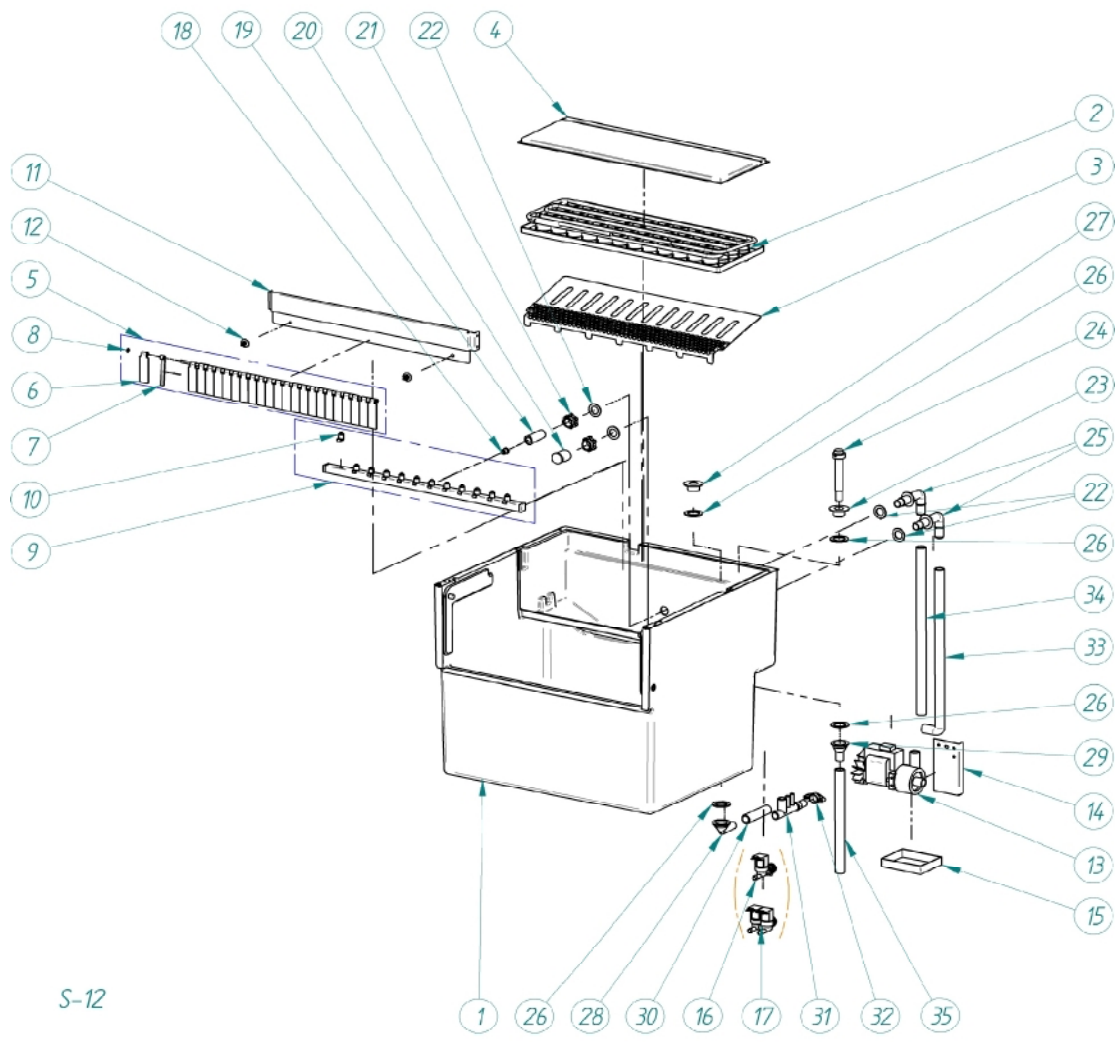


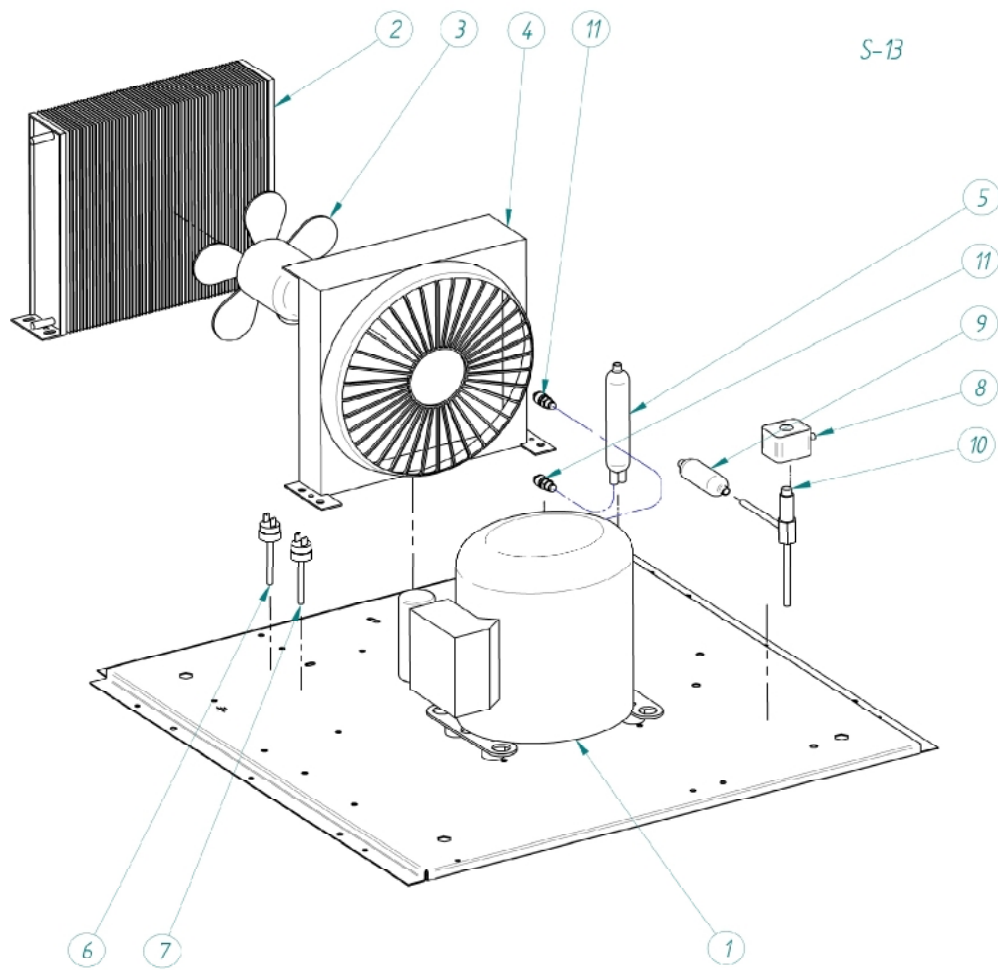
S-11

CABINET						
NAME	20	35	45	60	80	120
1 BASE	1300		4101	4116	4143	4296
2 RIGHT PANEL	4914		4436	4438	4440	4442
3 LEFT PANEL	4915		4437	4439	4441	4443
4 REAR SUPPORT		4106	4122	4136	-
5 REAR PANEL	1794		4108	4124	4138	4460
6 TOP PANEL	4917		4444	4445	4446	4447
7 FRONT SUPPORT	1327		4105	4121	4135	-
8 DOOR	853		4268	4269	4270	4271
9 TOP PANEL (DOOR)		4456	4457	4458	4459
10 FRONT PANEL AND GRILL	4916		4448	4449	4450	4451
11 REAR GIRLL		4115	4129	4217	4648
12 TUBE SUPPORT	1934		4107	4123	4137	4298

WATER BIN					
NAME	ECO 35	ECO45	ECO 60	ECO 80	ECO 120
1 WATER BIN	7460		7461	7462	7498
2 EVPORATOR	7449		7450	7451	7501
40gr	7435		7440	7441	7469
3 EJECT CUBE GRILL	4465		4466	4467	4468
4 TAPA EVAPORADOR	4707		4708	4709	4710
5 CURTAIN	5008		5887	5888	5957
6 EXTERIOR CURTAIN LAUVRE			1213		
7 INTERIOR CURTAIN LAUVRE			1212		
8 JOINT			107		
9 COLECTOR	7454		7455	7456	7497
10 NOZZLE			526		
11 CURTAIN SUPPORT	4461		4462	4463	4464
12 CLIP			3533		
13 PUMP	4519		4803	4556	4803
14 PUMP SUPPORT			4613		
15 BANDEJA CONDENS			4521		
16 WATER INLET VALVE			4541		
17 WATER INLET VALVE			4525		
18 WATER REGULATOR	805		-	5962	-
19 TUBE			4098		
20 FILTER			4505		
21 PLASTIC NUT			4502		
22 JOINT			4503		
23 OVERFLOW PLASTIC COUPL			4754		
24 OVERFLOW TUBE			4557		
25 ELBOW ADAPTER		4501			4594
26 JOINT			4755		
27 DRAIN			4753		
28 DRAIN ELBOW ADAPTER			4756		
29 DRAIN STRIGHT UNION			4752		
30 DRAIN COUPLING		4611			4729
31 WATER DISTRIBUTOR		4542 (AIRE) / 4529 (W)			4595
32 WATER DISTRIBUTOR FIXING			4530		
33 WATER INLET TUBE	4713		4724	4727	4885
34 WATER OUTLET PIPE	4551		4725	4728	4886
35 MANGUITO REBOSADERO	4714		4726	4729	-

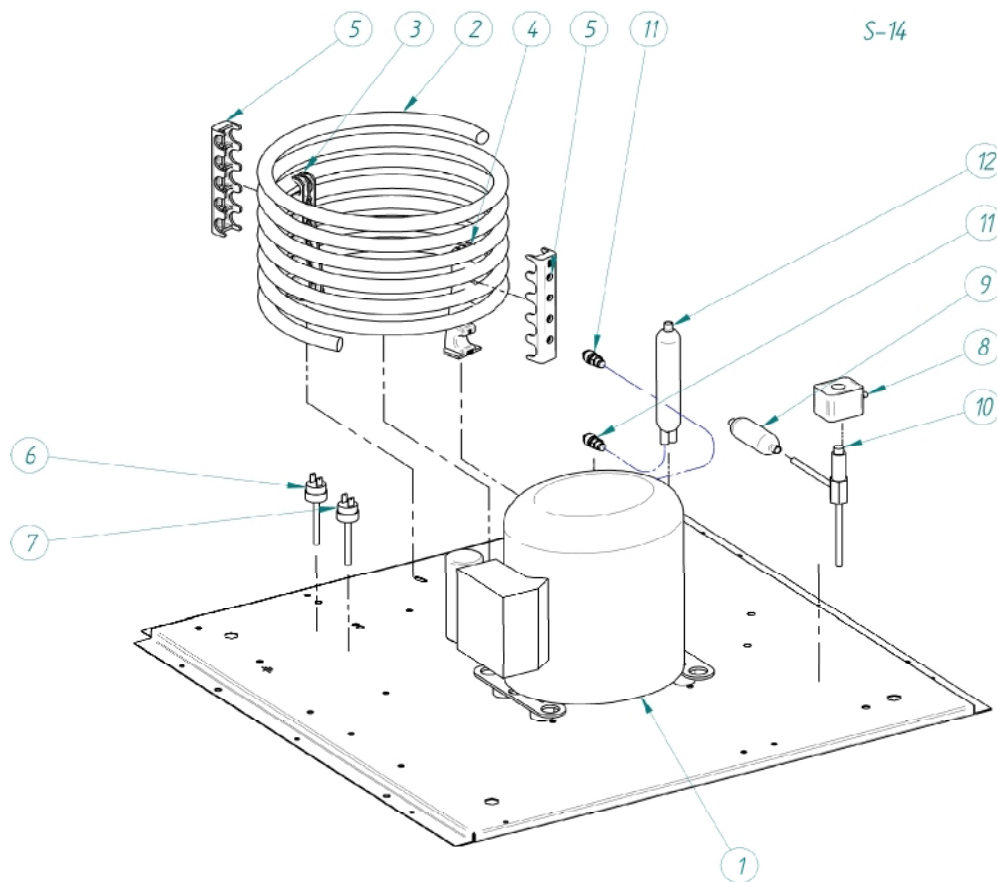


S-12

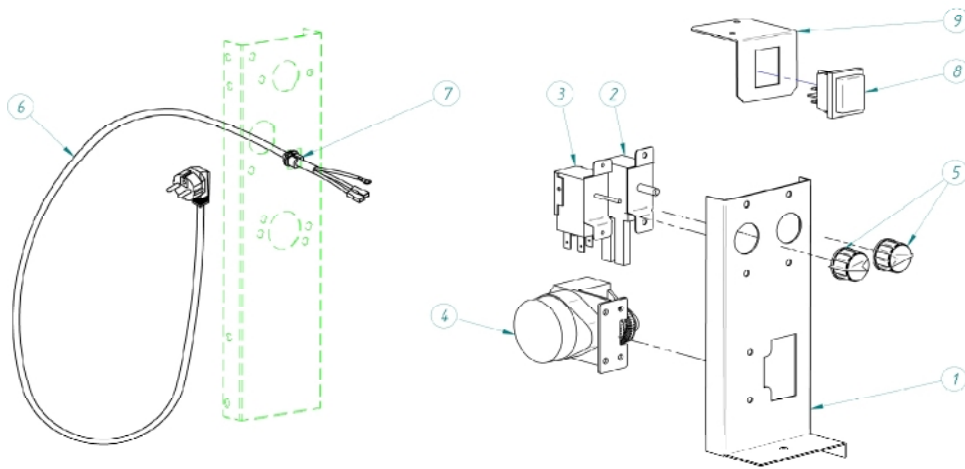


S-13

UNIT CONDENSER						
NAME	ECO 20	ECO 35	ECO 45	ECO 60	ECO 80	ECO 120
1 COMPRESSOR	434	435	436	437	438	440
2 CONDENSER	2423	4559	4560	4150		1052
3 FAN	2170	443	28	1326	4230	28
4 BAFLE CONDENSADOR	-	-	-	-	2435	-
5 DRIER	449			1717		
6 SAFETY PRESOSTAT	334					2683
7 CONDENS PRESOSTAT	7476					
8 COIL	5173					
9 FILTER	448					
10 HOT GAS VALVE	1473					
11 INLET VALVE	335					



UNIT WATER CONDENSER						
NAME	ECO 20	ECO 35	ECO 45	ECO 60	ECO 80	ECO 120
1 COMPRESSOR	434	435	436	437	438	440
2 CONDENSER	5224	5242	5243	5244		5246
3 SUPPORT				4036		
4 SUPPORT				4037		
5 SUPPORT				4038		
6 SAFETY PRESOSTAT	334			2683		
7 CONDENS PREOSTAT				7476		
8 COIL				5173		
9 FILTER				448		
10 HOT GAS VALVE				1473		
11 VALVE REFRIG REFILL				335		
12 DRIER	449			1717		



S-15

ELECTRIC BOARD				
NAME	ECO 35	ECO 60	ECO 80	ECO 120
1 SUPPORT			4469	
2 CYCLE THERMOSTAT			53	
3 STOCK THERMOSTAT			274	
4 TIMER			380	
5 THERMOSTAT CONTROL			272	
6 ELECTRIC CORD			408	
7 WIRING FIXING FLANGE			664	
8 INTERRUPTOR			2287	
9 SOPORTE INTRRUPTOR			4455	