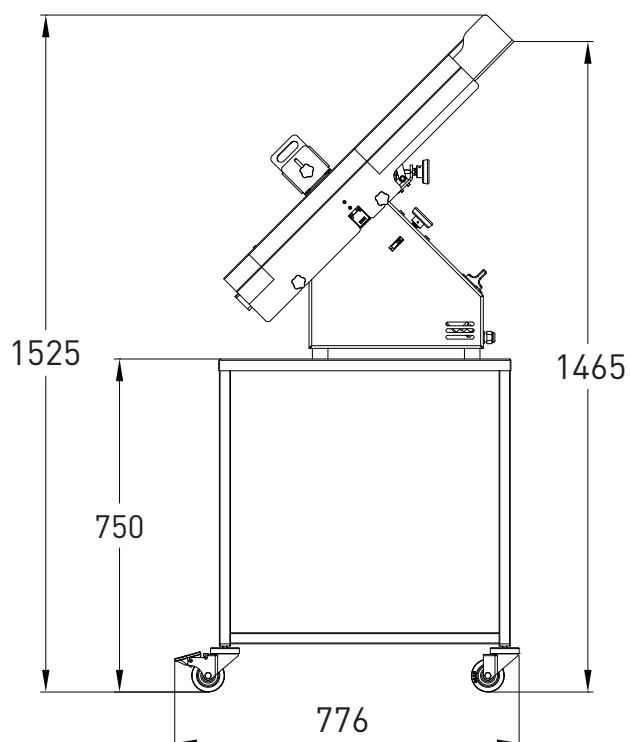
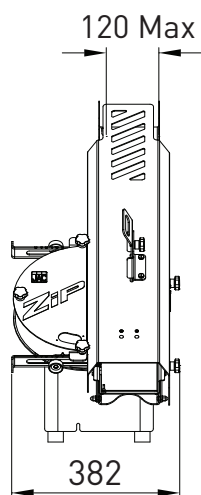
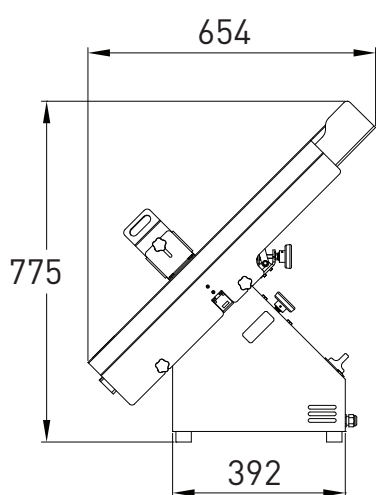


# Horizontal cut slicers

## ZIP

- ✓ Speed of execution
- ✓ Maximum safety
- ✓ First-rate hygiene
- ✓ Stainless steel exterior
- ✓ Versatility

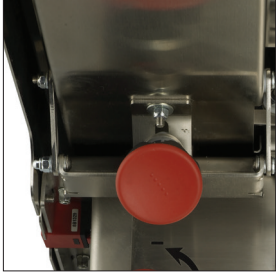
Up to 2000 cuts an hour



Traditionally Innovative



**Adjustable cutting tunnel**  
The adjustable height and width allow several types of loaves to be held, while ensuring a clean, precise cut.



**Blade adjustment handle**  
To set the height and depth of the cut in the bread.



**Stainless steel shutter**  
Finger protection system fixed at the outlet of the cutting area.



**Option** Stainless steel base



**Option** Two bread recovery trays



**Option** Wheeled tray support

FEATURES		ZIP
Max/min bread dimensions (W x H) in mm		60 x 60 / 120 x 80
Type of motor		230V single phase
Motor power in kW		0.49
Net weight (in kg)		35
Blade type and dimensions in mm		300 mm diameter steel

OPTIONS	
Stainless steel base	•
Wheeled tray support	•
Two bread recovery trays	•